

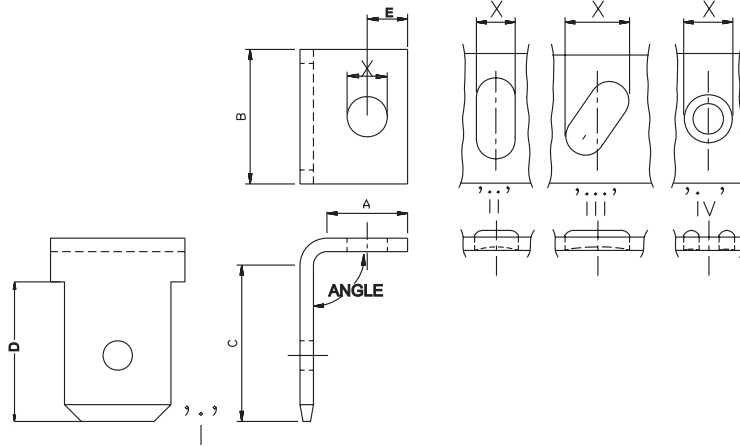
Tabs

Flachstecker

Attaches



4.8



Angle	X	Tab Thickness	Material	A	B	C	D	E	Reel Size	Pack Size	Part Number	Approvals
Winkel		Steckerdicke	Werkstoff						Spulengröße	Packungsgröße	Best Nr	Zulassungen
Angle		Epaisseur languette	Matière						Bobines à	Unité d'emballage	Code Nr	Homologations

Type I

90	2.6	0.5	Cu Zn	5.4	6.3	7.9	6.35	2.7		1K	48-A05P-B0BE	
90	3.6	0.5	CuZn	5.6	6.3	7.9	6.35	2.7		1K	48-A05P-D0BE	
45	3.6	0.5	Cu Zn	5.6	6.3	7.9	6.35	2.7		1K	48-A05P-D0BC	
90	3.2	0.5	Cu Zn	5.6	6.3	7.9	6.35	2.7		1K	48-A05P-C0BE	
45	5.0	0.5	CuZn gal Sn	11.1	7.9	7.9	6.35	4.8		1K	48-A05P-H0CC	
90	4.2	0.5	Cu Zn	11.1	7.9	7.9	6.35	4.8		1K	48-A05P-F0BE	

Straight

30	-	0.5	ST gal Ni	5.5	6.35	7.9	6.35	-		1K	48-A05W-A3EB	
FLAT	-	0.5	ST gal Ni	5.5	6.35	7.9	6.35	-		1K	48-A05W-A2EA	

Circular

FLAT	-	0.5	ST gal Ni	13.4	2.75	4.75	6.35	-		1K	48-A05W-A1EA	
------	---	-----	-----------	------	------	------	------	---	--	----	--------------	--

Adapter

35	-	0.5	Cu Ni Zn	7.5	6.0	15.0	6.35	-		1K	48-C05E-A0DB	
----	---	-----	----------	-----	-----	------	------	---	--	----	--------------	--

Germany +49 (0) 202 460 3468

Europe +421 43 583 1311

United Kingdom +44 (0) 1986 891516



making the connection



FM 09860

4.0 - 1.9