

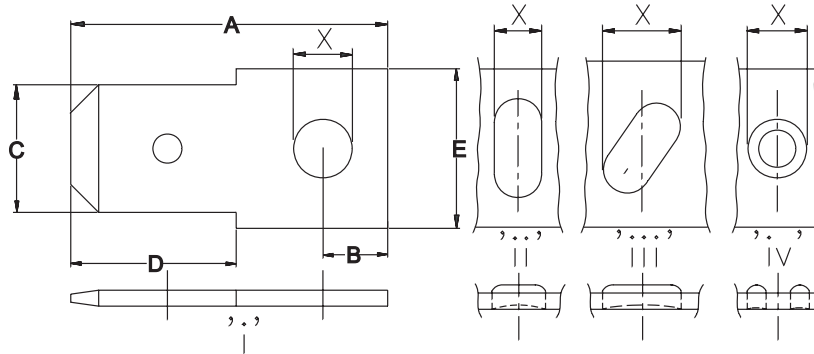
Tabs

Flachstecker

Attaches



6.3  
x 0.8



Angle	Hole Size	X	Tab Thickness	Material	A	B	C	D	E	Reel Size	Pack Size	Part Number	Approvals
Winkel	Lochgröße	X	Steckerdicke	Werkstoff	A	B	C	D	E	Spulengröße	Packungsgröße	Best Nr	Zulassungen
Angle	Bornage		Epaisseur languette	Matière						Bobines à	Unité d'emballage	Code Nr	Homologies

Type I with Hole

FLAT	2.4	-	0.8	ST gal Ni	15.9	2.4	6.3	8.3	8.0		10K	63-A08P-B0EA	
FLAT	3.3	-	0.8	CuZn	17.5	4.2	6.3	8.3	8.0		10K	63-A08P-C0BA	
FLAT	3.85	-	0.8	CuZn	17.5	4.2	6.3	8.3	8.0		10K	63-A08P-D0BA	
FLAT	4.25	-	0.8	CuZn	17.5	4.2	6.3	8.3	8.0		10K	63-A08P-F0BA	
FLAT	3.3	-	0.8	CuZn gal Sn	17.5	4.2	6.3	8.3	8.0		10K	63-A08P-C0CA-2	
FLAT	4.25	-	0.8	CuZn gal Sn	17.5	4.2	6.3	8.3	8.0		10K	63-A08P-FOCA	

Type II Straight Weld Rib

FLAT	-	2.4	0.8	ST gal Ni	15.9	2.4	6.3	8.3	8.0		10K	63-A08W-A2EA	
FLAT	-	2.4	0.8	ST gal Ni	12.9	1.9	6.3	8.3	8.0		10K	63-A08W-A2EA-2	

No Weld Rib

FLAT	-	-	0.8	ST gal Ni	15.9	-	6.3	8.3	8.0		10K	63-A08W-A0EA	
------	---	---	-----	-----------	------	---	-----	-----	-----	--	-----	--------------	--

Type III Angled Weld Rib

FLAT	-	3.4	0.8	ST gal Ni	15.9	2.5	6.3	8.3	8.0		10K	63-A08W-A3EA	
------	---	-----	-----	-----------	------	-----	-----	-----	-----	--	-----	--------------	--

Two Weld Ribs

FLAT	-	2.4x2	0.8	X 8 Cr 17	17.5	4.2	6.3	8.3	8.0		1K	63-A08W-A4FA	
------	---	-------	-----	-----------	------	-----	-----	-----	-----	--	----	--------------	--

Type IV Circular Weld Rib

FLAT	-	2.4	0.8	X 8 Cr 17	19.5	4.2	6.3	8.3	8.0		1K	63-A08W-B1FA	
------	---	-----	-----	-----------	------	-----	-----	-----	-----	--	----	--------------	--

Germany +49 (0) 202 460 3468

Europe +421 43 583 1311

United Kingdom +44 (0) 1986 891516



making the connection



4.0 - 1.1

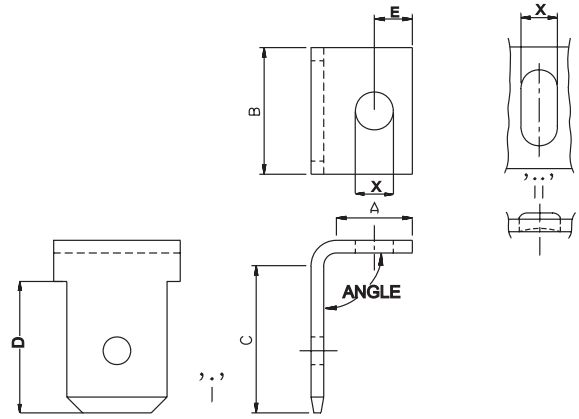
Tabs

Flachstecker

Attaches



6.3



Angle	Hole Size	X	Tab Thickness	Material	A	B	C	D	E	Reel Size	Pack Size	Part Number	Approvals
Winkel	Lochgröße		Steckerdicke	Werkstoff						Spulengröße	Packungsgröße	Best Nr	Zulassungen
Angle	Bornage		Epaisseur languette	Matière						Bobines à	Unité d'emballage	Code Nr	Homologies

Type 1

30	3.30	-	0.8	CuZn gal Sn	7.6	8.0	9.3	8.3	4.2		10K	63-A08P-C0CB	
30	3.30	-	0.8	CuZn	7.6	8.0	9.3	8.3	4.2		10K	63-A08P-C0BB	
30	3.85	-	0.8	CuZn	7.6	8.0	9.3	8.3	4.2		10K	63-A08P-D0BB	
45	2.40	-	0.8	St gal Ni	5.7	8.0	9.3	8.3	2.4		10K	63-A08P-B0EC	
45	3.85	-	0.8	CuZn	7.3	8.0	9.3	8.3	4.2		10K	63-A08P-D0BC	
45	5.25	-	0.8	CuZn	7.3	8.0	9.3	8.3	4.2		10K	63-A08P-I0BC	
45	4.25	-	0.8	CuZn	7.3	8.0	9.3	8.3	4.2		10K	63-A08P-F0BC	
45	5.25	-	0.8	ST gal Ni	13.9	8.0	9.3	8.3	5.0		10K	63-A08P-I0EC	
45	3.30	-	0.8	CuZn	7.3	8.0	9.3	8.3	4.2		10K	63-A08P-C0BC	
45	4.25	-	0.8	CuZn gal Sn	7.3	8.0	9.3	8.3	4.2		10K	63-A08P-F0CC	
45	3.85	-	0.8	CuZn gal Sn	7.3	8.0	9.3	8.3	4.2		10K	63-A08P-D0CC	
45	3.85	-	0.8	ST gal Ni	7.3	8.0	9.3	8.3	4.2		10K	63-A08P-D0EC	
45	5.25	-	0.8	CuZn gal Sn	7.3	8.0	9.3	8.3	4.2		10K	63-A08P-I0CC	
45	5.25	-	0.8	CuZn	13.9	8.0	9.3	8.3	5.0		10K	63-A08P-I0BC-2	

Straight

45	-	2.4	0.8	ST gal Ni	5.7	8.0	9.3	8.3	2.4		10K	63-A08W-A2EC	
60	-	2.4	0.8	ST gal Ni	5.4	8.0	9.3	8.3	2.4		10K	63-A08W-A2ED	
30	-	2.4	0.8	ST gal Ni	6.0	8.0	9.3	8.3	2.4		10K	63-A08W-A2EB	

Germany +49 (0) 202 460 3468

Europe +421 43 583 1311

United Kingdom +44 (0) 1986 891516



making the connection



FM 09860

4.0 - 1.2

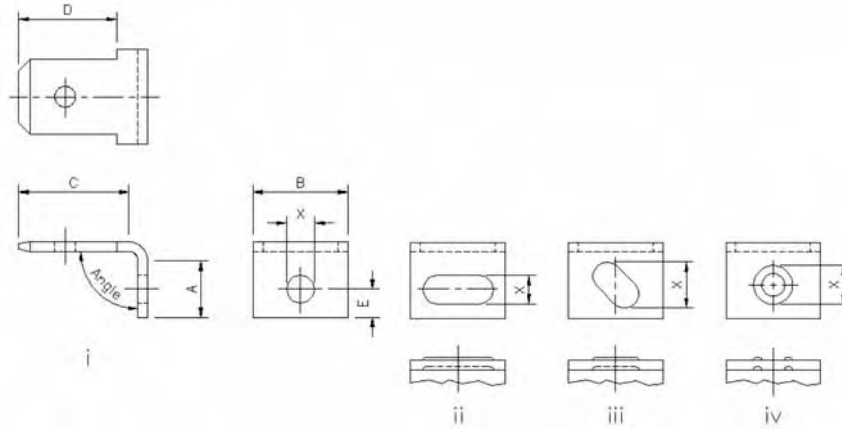
Tabs

Flachstecker

Attaches



6.3  
x 0.8



Angle	Hole Size	X	Tab Thickness	Material	A	B	C	D	E	Reel Size	Pack Size	Part Number	Approvals
Winkel	Lochgröße		Steckerdicke	Werkstoff						Spulengröße	Packungsgröße	Best Nr	Zulassungen
Angle	Bornage		Epaisseur languette	Matière						Bobines à	Unité d'emballage	Code Nr	Homologations

Type II Straight Weld Rib

45	-	2.4	0.8	X 8 Cr 17	8.0	7.9	11.5	8.0	4.0		10K	63-A08W-A2FC	
----	---	-----	-----	-----------	-----	-----	------	-----	-----	--	-----	--------------	--

Type III Angled Weld Rib

45	-	3.4	0.8	ST gal Ni	5.4	8.0	9.3	8.3	4.0		10K	63-A08W-A3ED	RU
90	-	2.4	0.8	ST gal Ni	4.8	8.0	9.3	8.3	2.4		10K	63-A08P-B0EE	
90	-	3.3	0.8	CuZn	6.4	8.0	9.3	8.3	4.2		10K	63-A08P-C0BE	RU
90	-	2.4	0.8	CuZn gal Sn	4.8	8.0	9.3	8.3	2.4		10K	63-A08P-B0CE	RU
90	-	2.4	0.8	Cu Zn	4.8	8.0	9.3	8.3	2.4		10K	63-A08P-B0BE	RU
90	-	3.3	0.8	CuZn gal Sn	6.4	8.0	9.3	8.3	4.2		10K	63-A08P-C0CE	

Type II Straight Weld Rib

90	-	2.4	0.8	ST gal Ni	4.8	8.0	9.3	8.3	-		10K	63-A08W-A2EE	
----	---	-----	-----	-----------	-----	-----	-----	-----	---	--	-----	--------------	--

2 x Type I Two Ribs

90	-	2.4	0.8	CuZn	4.8	8.0	9.3	8.3	2.4		10K	63-A08W-A4BE	
----	---	-----	-----	------	-----	-----	-----	-----	-----	--	-----	--------------	--

Type II Straight

90	-	2.4	0.8	X 8 Cr 17	7.9	7.9	11.5	8.0	3.95		5K	63-A08W-A2FE	
----	---	-----	-----	-----------	-----	-----	------	-----	------	--	----	--------------	--

Germany +49 (0) 202 460 3468

Europe +421 43 583 1311

United Kingdom +44 (0) 1986 891516



making the connection



FM 09860

4.0 - 1.3

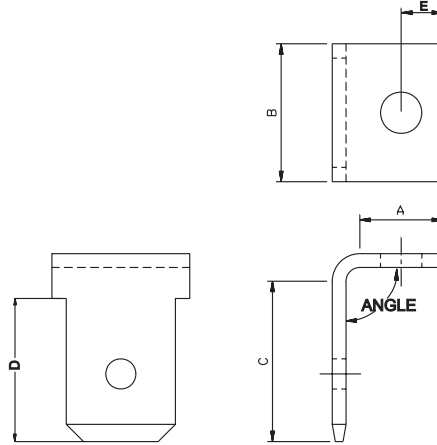
Tabs

Flachstecker

Attaches



6.3  
x 0.8



Angle	Hole Size	Tab Thickness	Material	A	B	C	D	E	Reel Size	Pack Size	Part Number	Approvals
Winkel	Lochgrösse	Steckerdicke	Werkstoff	A	B	C	D	E	Spulengrösse	Packungsgrösse	Best Nr	Zulassungen
Angle	Bornage	Épaisseur languette	Matériau						Bobines à	Unité d'emballage	Code Nr	Homologations

Double Tabs

FLAT	5.0	0.8	Cu Zn	38.0	8.0	-	8.3	19.0		10K	63-A08P-H0BF	
FLAT	4.8	0.8	Cu Zn	28.8	7.9	-	8.0	14.4		10K	63-A08P-G0BF	

Double Tabs with Two Weld Ribs

FLAT	4.0	0.8	gal Ni	38.0	8.0	-	8.3	19.0		10K	63-A08W-E4EF	
------	-----	-----	--------	------	-----	---	-----	------	--	-----	--------------	--

Double Tabs

2x45	4.8	0.8	Cu Zn	9.7	7.9	-	8.0	-		10K	63-A08P-G0BH	
2x90	5.0	0.8	Cu Zn	9.5	8.0	15.8	8.3	-		10K	63-A08P-H0BK	
2x90	4.8	0.8	Cu Zn	7.1	7.9	10.6	8.0	-		10K	63-A08P-G0BK	

Double Tabs with Angled Weld Ribs

2x90	-	0.8	X 8 Cr 17	7.3	7.9	10.5	8.0	-		10K	63-A08W-A3FK	
2x90	-	0.8	ST gal Ni	7.3	7.9	10.5	8.0	-		10K	63-A08W-A3EK	

Germany +49 (0) 202 460 3468

Europe +421 43 583 1311

United Kingdom +44 (0) 1986 891516



making the connection



4.0 - 1.4