

# Cable Lug Ring Type, Brazed

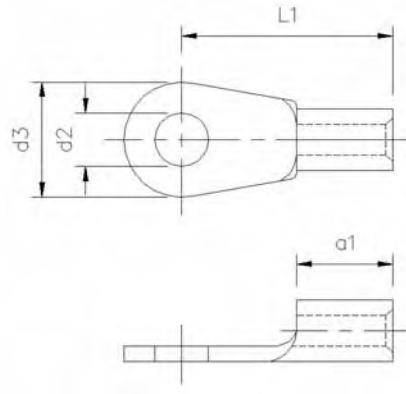
## Kabelschuhe Ringform Gelötet

### Crochets de Câble Type

### Anneaux, Soudé



RING



Type	Wire Range	DIN	Nom. Size	a1	d2	d3	L1	Mat Thickness	E=Single B=Chain	Part Number	Material	Carton Size	Reel Size
Type	Nennquerschnitt	DIN	Nom. Taille	a1	d2	d3	L1	Mat. dicke	E=Einzel B=Kette	Best Nr	Werkstoff	Menge pro Karton	Spulen größe
Type	Section câble	DIN	Nom. Taille	a1	d2	d3	L1	Epaisseur matériau	E=Simple B=Chaîne	Code Nr	Matière	Cartons à	Bobines à

1	0.5-1	46234	2.5-1	5.00	2.80	6.00	11.00	0.80	E	UTX03400-N01	SE-Cu Sn3	3000	
1	0.5-1	46234	3-1	5.00	3.20	6.00	11.00	0.80	E	UTX03401-N01	SE-Cu Sn3	6000	
1	0.5-1	46234	3.5-1	5.00	3.70	6.00	11.00	0.80	E	UTX03402-N01	SE-Cu Sn3	6000	
1	0.5-1	46234	4-1	5.00	4.30	8.00	12.00	0.80	E	UTX03403-N01	SE-Cu Sn3	4000	
1	0.5-1		5-1	5.00	5.30	8.00	12.00	0.80	E	UTX03439-N01	SE-Cu Sn3	3000	
1	0.5-1	46234	5-1	5.00	5.30	10.00	13.00	0.80	E	UTX03404-N01	SE-Cu Sn3	3500	
1	0.5-1		5-1	5.00	5.30	14.00	17.00	0.80	E	UTX03640-N01	SE-Cu Sn3	2000	
1	0.5-1		6-1	5.00	6.50	11.00	15.00	0.80	E	UTX03472-N01	SE-Cu Sn3	2500	
1	0.5-1		8-1	5.00	8.40	14.00	17.00	0.80	E	UTX03473-N01	SE-Cu Sn3	2000	
1	0.5-1		10-1	5.00	10.50	18.00	19.00	0.80	E	UTX03474-N01	SE-Cu Sn3	1250	
1	1.5-2.5	46234	3-2.5	5.00	3.20	6.00	11.00	0.80	E	UTX03405-N01	SE-Cu Sn3	5000	
1	1.5-2.5	46234	3.5-2.5	5.00	3.70	6.00	11.00	0.80	E	UTX03461-N01	SE-Cu Sn3	5000	
1	1.5-2.5	46234	4-2.5	5.00	4.30	8.00	12.00	0.80	E	UTX03406-N01	SE-Cu	3500	
1	1.5-2.5	46234	4-2.5	5.00	4.30	8.00	12.00	0.80	E	UTX03406-M01	SE-Cu Sn3	3500	
1	1.5-2.5		5-2.5	5.00	5.20	8.00	12.00	0.80	E	UTX03486-N01	SE-Cu Sn3	3500	
1	1.5-2.5	46234	5-2.5	5.00	5.30	10.00	14.00	0.80	E	UTX03407-N01	SE-Cu Sn3	2500	
1	1.5-2.5	46234	6-2.5	5.00	6.50	11.00	16.00	0.80	E	UTX03408-N01	SE-Cu Sn3	2000	
1	1.5-2.5	46234	8-2.5	5.00	8.40	14.00	17.00	0.80	E	UTX03409-N01	SE-Cu Sn3	1500	
1	1.5-2.5		10-2.5	5.00	10.50	18.00	19.00	0.80	E	UTX03475-N01	SE-Cu Sn3	1000	
1	1.5-2.5		12-2.5	5.00	12.30	18.00	19.00	0.80	E	UTX03481-N01	SE-Cu Sn3	1000	
1	4-6	46234	4-6	6.00	4.30	8.00	14.00	1.00	E	UTX03410-N01	SE-Cu Sn3	2000	
1	4-6	46234	5-6	6.00	5.30	10.00	15.00	1.00	E	UTX03411-N01	SE-Cu Sn3	1500	
1	4-6		5-6	6.00	5.30	14.00	19.00	1.00	E	UTX03638-N01	SE-Cu Sn3	1000	
1	4-6	46234	6-6	6.00	6.50	11.00	16.00	1.00	E	UTX03412-N01	SE-Cu Sn3	1250	
1	4-6	46234	8-6	6.00	8.40	14.00	19.00	1.00	E	UTX03413-N01	SE-Cu Sn3	1000	
1	4-6	46234	10-6	6.00	10.50	18.00	21.00	1.00	E	UTX03414-N01	SE-Cu Sn3	800	
1	4-6		12-6	6.00	13.00	18.00	21.00	1.00	E	UTX03497-N01	SE-Cu Sn3	800	

Germany +49 (0) 202 460 3468

Europe +421 43 583 1311

United Kingdom +44 (0) 1986 891516



making the connection



FM 09860

8.0 - 1.1

# Cable Lug Ring Type, Brazed

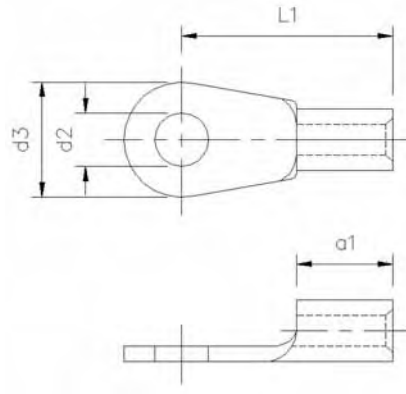
## Kabelschuhe Ringform Gelötet

### Crochets de Câble Type

### Anneaux, Soudé



RING



Type	Wire Range	DIN	Nom. Size	a1	d2	d3	L1	Mat Thickness	E=Single B=Chain	Part Number	Material	Carton Size	Reel Size
Typ	Nennquerschnitt	DIN	Nom. Größe	a1	d2	d3	L1	Mat. dicke	E=Einzel B=Kette	Best Nr	Werkstoff	Menge pro Karton	Spulen größe
Type	Section câble	DIN	Nom. Taille	a1	d2	d3	L1	Epaisseur matériau	E=Simple B=Chaîne	Code Nr	Matière	Cartons à	Bobines à

1	6-10		4-10	8.00	4.30	10.00	16.00	1.10	E	UTX03468-N01	SE-Cu Sn3	1000	
1	6-10	46234	5-10	8.00	5.30	10.00	16.00	1.10	E	UTX03415-N01	SE-Cu Sn3	1000	
1	6-10	46234	6-10	8.00	6.50	11.00	17.00	1.10	E	UTX03416-N01	SE-Cu Sn3	1000	
1	6-10		6-10	8.00	6.50	14.00	20.00	1.10	E	UTX03645-N01	SE-Cu Sn3	750	
1	6-10	46234	8-10	8.00	8.40	14.00	20.00	1.10	E	UTX03417-N01	SE-Cu Sn3	750	
1	6-10	46234	10-10	8.00	10.50	18.00	21.00	1.10	E	UTX03418-N01	SE-Cu Sn3	600	
1	6-10	46234	12-10	8.00	13.00	22.00	23.00	1.10	E	UTX03419-N01	SE-Cu Sn3	500	
1	10-16	46234	5-16	10.00	5.30	11.00	20.00	1.20	E	UTX03420-N01	SE-Cu Sn3	600	
1	10-16	46234	6-16	10.00	6.50	11.00	20.00	1.20	E	UTX03421-N01	SE-Cu Sn3	600	
1	10-16	46234	8-16	10.00	8.40	14.00	22.00	1.20	E	UTX03422-N01	SE-Cu Sn3	500	
1	10-16	46234	10-16	10.00	10.50	18.00	24.00	1.20	E	UTX03423-N01	SE-Cu Sn3	400	
1	10-16	46234	12-16	10.00	13.00	22.00	26.00	1.20	E	UTX03424-N01	SE-Cu Sn3	250	
1	16-25		5-25	11.00	5.40	12.00	25.00	0.80	E	UTX03425-N01	SE-Cu Sn3	300	
1	16-25	46234	6-25	11.00	6.50	12.00	25.00	1.50	E	UTX03426-N01	SE-Cu Sn3	300	
1	16-25	46234	8-15	11.00	8.40	16.00	25.00	1.50	E	UTX03427-N01	SE-Cu Sn3	300	
1	16-25	46234	10-15	11.00	10.50	18.00	26.00	1.50	E	UTX03428-N01	SE-Cu Sn3	250	
1	16-25	46234	12-25	11.00	13.00	22.00	31.00	1.50	E	UTX03729-N01	SE-Cu Sn3	200	
1	16-25	46234	16-25	11.00	17.00	28.00	35.00	1.50	E	UTX03430-N01	SE-Cu Sn3	150	
1	25-35	46234	6-35	12.00	6.50	15.00	26.00	1.60	E	UTX03431-N01	SE-Cu Sn3	250	
1	25-35	46234	8-35	12.00	8.40	16.00	26.00	1.60	E	UTX03432-N01	SE-Cu Sn3	200	
1	25-35	46234	10-35	12.00	10.50	18.00	27.00	1.60	E	UTX03433-N01	SE-Cu Sn3	200	
1	25-35	46234	12-35	12.00	13.00	22.00	31.00	1.60	E	UTX03434-N01	SE-Cu Sn3	150	
1	25-35	46234	16-35	12.00	17.00	28.00	36.00	1.60	E	UTX03435-N01	SE-Cu Sn3	125	

Germany +49 (0) 202 460 3468

Europe +421 43 583 1311

United Kingdom +44 (0) 1986 891516



making the connection



FM 09860

8.0 - 1.2

# Cable Lug Ring Type, Brazed

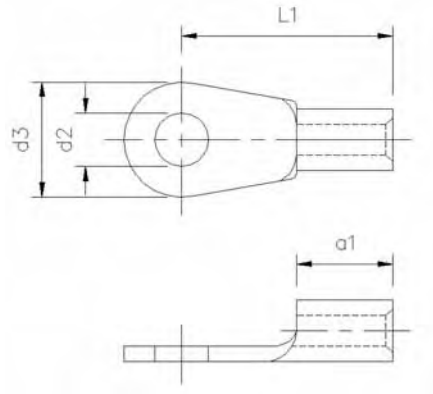
## Kabelschuhe Ringform Gelötet

### Crochets de Câble Type

### Anneaux, Soudé



RING



Type	Wire Range	DIN	Nom. Size	a1	d2	d3	L1	Mat Thickness	E=Single B=Chain	Part Number	Material	Carton Size	Reel Size
Typ	Nennquerschnitt	DIN	Nom. Größe					Mat. dicke	E=Einzel B=Kette	Best Nr	Werkstoff	Menge pro Karton	Spulen größe
Type	Section câble	DIN	Nom. Taille					Epaisseur matériau	E=Simple B=Chaîne	Code Nr	Matière	Cartons à	Bobines à

1	35-50	46234	6-50	16.00	6.50	18.00	34.00	1.80	E	UTX03565-N01	SE-Cu Sn3	100	
1	35-50	46234	8-50	16.00	8.40	18.00	34.00	1.80	E	UTX03436-N01	SE-Cu Sn3	100	
1	35-50	46234	10-50	16.00	10.50	18.00	34.00	1.80	E	UTX03437-N01	SE-Cu Sn3	100	
1	35-50	46234	12-50	16.00	13.00	22.00	36.00	1.80	E	UTX03438-N01	SE-Cu Sn3	100	
1	35-50	46234	16-50	16.00	17.00	28.00	40.00	1.80	E	UTX03567-N01	SE-Cu Sn3	75	
1	50-70	46234	6-70	18.00	6.50	22.00	38.00	2.00	E	UTX03498-N01	SE-Cu Sn3	75	
1	50-70	46234	8-70	18.00	8.40	22.00	38.00	2.00	E	UTX03485-N01	SE-Cu Sn3	75	
1	50-70	46234	8-70	18.00	8.40	24.00	38.00	2.00	E	UTX03025-N01	SE-Cu Sn3	75	
1	50-70	46234	10-70	18.00	10.50	22.00	38.00	2.00	E	UTX03440-N01	SE-Cu Sn3	75	
1	50-70	46234	12-70	18.00	13.00	22.00	38.00	2.00	E	UTX03441-N01	SE-Cu Sn3	75	
1	50-70	46234	16-70	18.00	17.00	28.00	42.00	2.00	E	UTX03442-N01	SE-Cu Sn3	60	
1	70-90	46234	8-95	20.00	8.40	24.00	42.00	2.50	E	UTX03471-N01	SE-Cu Sn3	50	
1	70-95	46234	10-95	20.00	10.50	24.00	42.00	2.50	E	UTX03443-N01	SE-Cu Sn3	50	
1	70-95	46234	12-95	20.00	13.00	24.00	42.00	2.50	E	UTX03444-N01	SE-Cu Sn3	50	
1	70-95	46234	16-95	20.00	17.00	28.00	44.00	2.50	E	UTX03445-N01	SE-Cu Sn3	40	

Germany +49 (0) 202 460 3468

Europe +421 43 583 1311

United Kingdom +44 (0) 1986 891516



making the connection



FM 09860

8.0 - 1.3

# Cable Lug Ring Type, Brazed

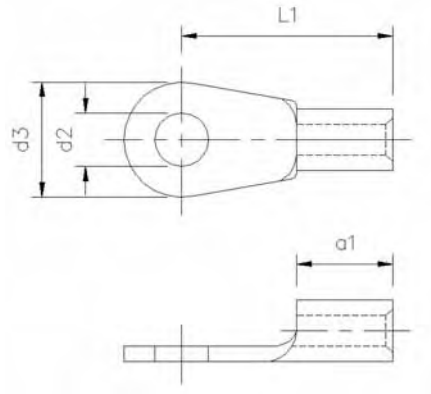
## Kabelschuhe Ringform Gelötet

### Crochets de Câble Type

### Anneaux, Soudé



RING



Type	Wire Range	DIN	Nom. Size	a1	d2	d3	L1	Mat Thickness	E=Single B=Chain	Part Number	Material	Carton Size	Reel Size
Typ	Nennquerschnitt	DIN	Nom. Größe					Mat. dicke	E=Einzel B=Kette	Best Nr	Werkstoff	Menge pro Karton	Spulen größe
Type	Section câble	DIN	Nom. Taille					Epaisseur matériau	E=Simple B=Chaîne	Code Nr	Matière	Cartons à	Bobines à

1	95-120		8-120	22.00	8.40	24.00	44.00	3.00	E	UTX03496-N01	SE-Cu Sn3	40	
1	95-120		10-120	22.00	10.50	24.00	44.00	3.00	E	UTX03446-N01	SE-Cu Sn3	30	
1	95-120	46234	12-120	22.00	13.00	24.00	44.00	3.00	E	UTX03447-N01	SE-Cu Sn3	40	
1	95-120	46234	16-120	22.00	17.00	28.00	48.00	3.00	E	UTX03448-N01	SE-Cu Sn3	25	
1	120-150	46234	10-150	24.00	10.50	30.00	50.00	3.20	E	UTX03495-N01	SE-Cu Sn3	25	
1	120-150	46234	12-150	24.00	13.00	30.00	50.00	3.20	E	UTX03449-N01	SE-Cu Sn3	25	
1	120-150	46234	16-150	24.00	17.00	30.00	50.00	3.20	E	UTX03450-N01	SE-Cu Sn3	25	
1	150-185	46234	12-185	28.00	13.00	36.00	50.00	3.50	E	UTX03451-N01	SE-Cu Sn3	20	
1	150-185	46234	16-185	28.00	17.00	36.00	50.00	3.50	E	UTX03452-N01	SE-Cu Sn3	20	
1	185-240	46234	12-240	32.00	13.00	38.00	56.00	4.00	E	UTX03453-N01	SE-Cu Sn3	15	
1	185-240	46234	16-240	32.00	17.00	38.00	56.00	4.00	E	UTX03454-N01	SE-Cu Sn3	15	

Germany +49 (0) 202 460 3468

Europe +421 43 583 1311

United Kingdom +44 (0) 1986 891516



making the connection



FM 09860

8.0 - 1.4

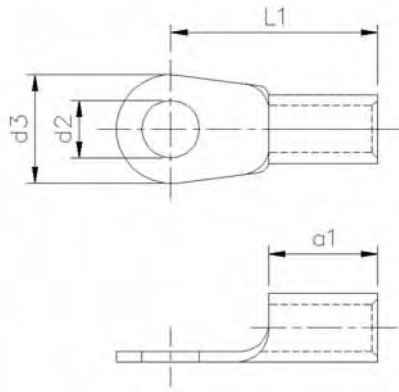
# Cable Lug Ring Type, Brazed

Kabelschuhe Ringform Gelötet  
Ähnlich Din 46211

Crochets de Câble Type  
Anneaux, Soudé



RING



Type	Wire Range	Nom. Size	a1	d2	d3	L1	Mat Thickness	E=Single B=Chain	Part Number	Material	Carton Size	Reel Size
Typ	Nennquerschnitt	Nom. Größe					Mat. dicke	E=Einzel B=Kette	Best Nr	Werkstoff	Menge pro Karton	Spulen größe
Type	Section câble	Nom. Taille					Epaisseur matériau	E=Simple B=Chaîne	Code Nr	Matière	Cartons à	Bobines à

1	10	6x4.3	10.00	6.40	11.00	21.00	1.00	E	UTX03512-N01	SE-Cu Sn3	800	
1	10	8x4.3	10.00	8.40	15.00	24.00	1.00	E	UTX03517-N01	SE-Cu Sn3	600	
1	10	10x4.3	10.00	10.50	19.00	26.00	1.00	E	UTX03523-N01	SE-Cu Sn3	500	
1	10	12x4.3	10.00	13.00	22.00	28.00	1.00	E	UTX03530-N01	SE-Cu Sn3	400	
1	16	5x5.4	11.50	5.30	11.00	24.00	1.00	E	UTX03717-N01	SE-Cu Sn3	600	
1	16	6x5.4	11.50	6.40	11.00	24.00	1.00	E	UTX03513-N01	SE-Cu Sn3	600	
1	16	8x5.4	11.50	8.40	15.00	27.00	1.00	E	UTX03518-N01	SE-Cu Sn3	500	
1	16	10x5.4	11.50	10.50	19.00	29.00	1.00	E	UTX03524-N01	SE-Cu Sn3	400	
1	16	12x5.4	11.50	13.00	22.00	31.00	1.00	E	UTX03531-N01	SE-Cu Sn3	300	
1	25	6x6.8	13.50	6.40	13.00	27.00	1.20	E	UTX03514-N01	SE-Cu Sn3	300	
1	25	8x6.8	13.50	8.40	15.00	30.00	1.20	E	UTX03519-N01	SE-Cu Sn3	300	
1	25	10x6.8	13.50	10.50	19.00	21.00	1.20	E	UTX03525-N01	SE-Cu Sn3	250	
1	25	12x6.8	13.50	13.00	22.00	35.00	1.20	E	UTX03532-N01	SE-Cu Sn3	200	
1	25	16x6.8	13.50	17.00	28.00	38.00	1.20	E	UTX03542-N01	SE-Cu Sn3	100	
1	35	6x8.2	16.00	6.40	15.00	33.00	1.50	E	UTX03713-N01	SE-Cu Sn3	200	
1	35	8x8.2	16.00	8.40	15.00	33.00	1.50	E	UTX03520-N01	SE-Cu Sn3	200	
1	35	10x8.2	16.00	10.50	19.00	35.00	1.50	E	UTX03526-N01	SE-Cu Sn3	150	
1	35	12x8.2	16.00	13.00	22.00	38.00	1.50	E	UTX03533-N01	SE-Cu Sn3	150	
1	35	16x8.2	16.00	17.00	28.00	41.00	1.50	E	UTX03543-N01	SE-Cu Sn3	125	
1	50	8x9.5	19.00	8.40	17.00	36.00	1.80	E	UTX03521-N01	SE-Cu Sn3	100	
1	50	10x9.5	19.00	10.50	19.00	38.00	1.80	E	UTX03527-N01	SE-Cu Sn3	125	
1	50	12x9.5	19.00	13.00	22.00	41.00	1.80	E	UTX03534-N01	SE-Cu Sn3	100	
1	50	16x9.5	19.00	17.00	28.00	44.00	1.80	E	UTX03544-N01	SE-Cu Sn3	75	

Germany +49 (0) 202 460 3468

Europe +421 43 583 1311

United Kingdom +44 (0) 1986 891516



making the connection



8.0 - 1.5

# Cable Lug Ring Type, Brazed

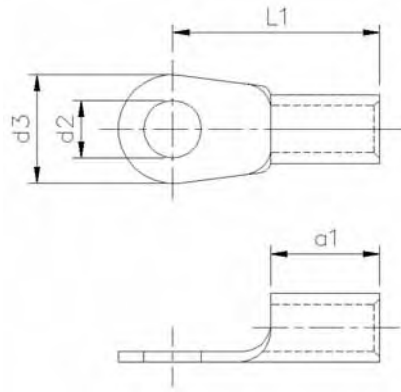
## Kabelschuhe Ringform Gelötet

### Crochets de Câble Type

### Anneaux, Soudé



RING



Type	Wire Range	Nom. Size	a1	d2	d3	L1	Mat Thickness	E=Single B=Chain	Part Number	Material	Carton Size	Reel Size
Typ	Nennquerschnitt	Nom. Größe					Mat dicke	E=Einzel B=Kette	Best Nr	Werkstoff	Menge pro Karton	Spulen größe
Type	Section câble	Nom. Taille					Epaisseur matériau	E=Simple B=Chaîne	Code Nr	Matière	Cartons à	Bobines à

1	70	8x11.2	24.00	8.40	21.00	44.00	2.00	E	UTX03599-N01	SE-Cu Sn3	75	
1	70	10x11.2	24.00	10.50	21.00	44.00	2.00	E	UTX03528-N01	SE-Cu Sn3	75	
1	70	12x11.2	24.00	13.00	22.00	47.00	2.00	E	UTX03535-N01	SE-Cu Sn3	60	
1	70	16x11.2	24.00	17.00	28.00	50.00	2.00	E	UTX03545-N01	SE-Cu Sn3	50	
1	95	8x13.5	24.00	8.40	21.00	44.00	2.50	E	UTX03715-N01	SE-Cu Sn3	50	
1	95	10x13.5	24.00	10.50	21.00	44.00	2.50	E	UTX03529-N01	SE-Cu Sn3	50	
1	95	12x13.5	24.00	13.00	22.00	47.00	2.50	E	UTX03536-N01	SE-Cu Sn3	50	
1	95	16x13.5	24.00	17.00	28.00	50.00	2.50	E	UTX03546-N01	SE-Cu Sn3	40	
1	120	10x15	29.00	10.50	24.00	53.00	3.00	E	UTX03771-N01	SE-Cu Sn3	30	
1	120	12x15	29.00	13.00	24.00	53.00	3.00	E	UTX03537-N01	SE-Cu Sn3	35	
1	120	16x15	29.00	17.00	28.00	55.00	3.00	E	UTX03547-N01	SE-Cu Sn3	35	
1	150	10x16.5	29.00	10.50	28.00	55.00	3.50	E	UTX03712-N01	SE-Cu Sn3	25	
1	150	12x16.5	29.00	13.00	28.00	55.00	3.50	E	UTX03538-N01	SE-Cu Sn3	25	
1	150	16x16.5	29.00	17.00	28.00	55.00	3.50	E	UTX03548-N01	SE-Cu Sn3	25	
1	185	12x18.5	34.00	13.00	28.00	61.00	4.00	E	UTX03539-N01	SE-Cu Sn3	25	
1	185	16x18.5	34.00	17.00	28.00	61.00	4.00	E	UTX03549-N01	SE-Cu Sn3	25	
1	240	12x21	40.00	13.00	30.00	68.00	5.00	E	UTX03540-N01	SE-Cu Sn3	15	
1	240	16x21	40.00	17.00	30.00	68.00	5.00	E	UTX03550-N01	SE-Cu Sn3	15	
1	300	12x23.5	40.00	13.00	30.00	68.00	5.00	E	UTX03541-N01	SE-Cu Sn3	15	
1	300	16x23.5	40.00	17.00	30.00	68.00	5.00	E	UTX03551-N01	SE-Cu Sn3	15	

Germany +49 (0) 202 460 3468

Europe +421 43 583 1311

United Kingdom +44 (0) 1986 891516



making the connection



8.0 - 1.6