

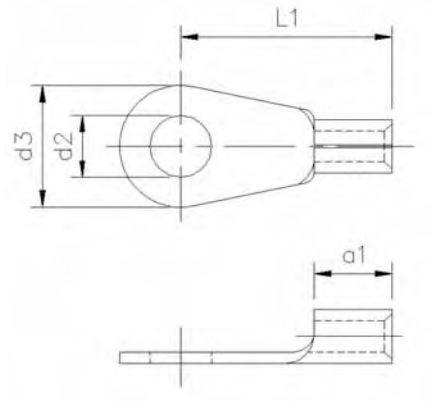
# Solder Tags Ring Type

## Lötkabelschuhe Ringform

### Attaches de Soudure Type Anneau



RING



Type	Wire Range	DIN	Nom. Size	a1	d2	d3	L1	Mat Thickness	E=Single B=Chain	Part Number	Material	Carton Size	Reel Size
Typ	Nennquerschnitt	DIN	Nom. Größe					Mat. dicke	E=Einzel B=Kette	Best Nr	Werkstoff	Menge pro Karton	Spulen größe
Type	Section câble	DIN	Nom. Taille					Epaisseur matériau	E=Simple B=Chaîne	Code Nr	Matière	Cartons à	Bobines à

1	0.5-1	46211 Form A	2.6x1.4	3.50	2.80	5.50	9.50	0.50	E	UTX09201-T01	CuZn fSn 2	10000	
1	0.5-1	46211 Form A	3x1.4	3.50	3.20	6.00	10.00	0.50	E	UTX09202-T01	CuZn fSn 2	10000	
1	0.5-1	46211 Form A	3x1.4	3.50	3.20	6.00	10.00	0.50	E	UTX09202-U01	SE-Cu fSn 2	10000	
1	0.5-1	46211 Form A	4x1.4	3.50	4.30	8.00	11.50	0.50	E	UTX09203-T01	CuZn fSn 2	6000	
1	0.5-1	46211 Form A	5x1.4	3.50	5.30	10.00	13.00	0.50	E	UTX09204-T01	CuZn fSn 2	5000	
1	1.5-2.5		3.5x1.8	4.00	3.70	7.00	11.00	0.50	E	UTX09205-U01	SE-Cu fSn 2	7500	
1	1.5-2.5	46211 Form A	3.5x2.3	6.00	3.70	7.00	12.00	0.80	E	UTX09207-T01	CuZn fSn 2	4000	
1	1.5-2.5	46211 Form A	3.5x2.3	6.00	3.70	7.00	12.00	0.80	E	UTX09207-U01	SE-Cu fSn 2	4000	
1	1.5-2.5	46211 Form A	4x2.3	6.00	4.30	8.00	14.50	0.80	E	UTX09208-T01	CuZn fSn 2	3000	
1	1.5-2.5	46211 Form A	4x2.3	6.00	4.30	8.00	14.50	0.80	E	UTX09208-U01	SE-Cu fSn 2	3000	
1	1.5-2.5	46211 Form A	5x2.3	6.00	5.30	10.00	16.00	0.80	E	UTX09209-T01	CuZn fSn 2	2000	
1	1.5-2.5	46211 Form A	5x2.3	6.00	5.30	10.00	16.00	0.80	E	UTX09209-U01	SE-Cu fSn 2	2000	
1	1.5-2.5	46211 Form A	6x2.3	6.00	6.50	11.00	17.00	0.80	E	UTX09210-T01	CuZn fSn 2	200	
1	1.5-2.5	46211 Form A	6x2.3	6.00	6.50	11.00	17.00	0.80	E	UTX09210-U01	SE-Cu fSn 2	2000	
1	1.5-2.5	46211 Form A	8x2.3	6.00	8.40	15.00	20.00	0.80	E	UTX09211-T01	CuZn fSn 2	1250	
1	4-6	46211 Form A	4x3.4	8.00	4.30	8.00	16.00	1.00	E	UTX09212-B01	CuZn	1500	
1	4-	46211 Form A	5x3.4	8.00	5.30	10.00	18.00	1.00	E	UTX09213-B01	CuZn	1250	
1	4-6	46211 Form A	5x3.4	8.00	5.30	10.00	18.00	1.00	E	UTX09213-T01	CuZn fSn 2	1250	
1	4-6	46211 Form A	5x3.4	8.00	5.30	10.00	18.00	1.00	E	UTX09213-U01	SE-Cu fSn 2	1250	
1	4-6	46211 Form A	6x3.4	8.00	6.50	11.00	19.00	1.00	E	UTX09214-B01	CuZn	1250	

Germany +49 (0) 202 460 3468

Europe +421 43 583 1311

United Kingdom +44 (0) 1986 891516



making the connection



FM 09860

8.0 - 2.3

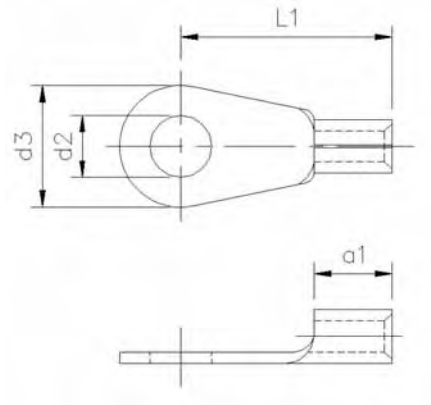
# Solder Tags Ring Type

## Lötkabelschuhe Ringform

### Attaches de Soudure Type Anneau



RING



Type	Wire Range	DIN	Nom. Size	a1	d2	d3	L1	Mat Thickness	E=Single B=Chain	Part Number	Material	Carton Size	Reel Size
Typ	Nennquerschnitt	DIN	Nom. Größe					Mat. dicke	E=Einzel B=Kette	Best Nr	Werkstoff	Menge pro Karton	Spulen größe
Type	Section câble	DIN	Nom. Taille					Epaisseur matériau	E=Simple B=Chaîne	Code Nr	Matière	Cartons à	Bobines à

1	4-6	46211 Form A	6x3.4	8.00	6.50	11.00	19.00	1.00	E	UTX09214-T01	CuZn fSn 2	1250	
1	4-6	46211 Form A	6x3.4	8.00	6.50	11.00	19.00	1.00	E	UTX09214-U01	SE-Cu fSn 2	1250	
1	4-6	46211 Form A	8x3.4	8.00	8.40	15.00	23.00	1.00	E	UTX09215-T01	CuZn fSn 2	750	
1	4-6	46211 Form A	10x3.4	8.00	10.50	19.00	24.00	1.00	E	UTX09216-B01	CuZn	600	
1	4-6	46211 Form A	10x3.4	8.00	10.50	19.00	24.00	1.00	E	UTX09216-U01	SE-Cu fSn 2	600	
1	6-10	46211 Form A	5x4.3	10.00	5.30	10.00	19.00	1.20	E	UTX09218-B01	CuZn	750	
1	6-10	46211 Form A	5x4.3	10.00	5.30	10.00	19.00	1.20	E	UTX09218-T01	CuZn fSn 2	1000	
1	6-10	46211 Form A	5x4.3	10.00	5.30	10.00	19.00	1.20	E	UTX09218-U01	SE-Cu fSn 2	750	
1	6-10	46211 Form A	6x4.3	10.00	6.50	11.00	21.00	1.20	E	UTX09219-B01	CuZn	750	
1	6-10	46211 Form A	6x4.3	10.00	6.50	11.00	21.00	1.20	E	UTX09219-T01	CuZn fSn 2	750	
1	6-10	46211 Form A	6x4.3	10.00	6.50	11.00	21.00	1.20	E	UTX09219-B01	SE-Cu	750	
1	6-10	46211 Form A	6x4.3	10.00	6.50	11.00	21.00	1.20	E	UTX09219-U01	SE-Cu fSn 2	750	
1	6-10	46211 Form A	8x4.3	10.00	8.40	15.00	24.00	1.20	E	UTX09220-T01	CuZn fSn 2	600	
1	6-10	46211 Form A	8x4.3	10.00	8.40	15.00	24.00	1.20	E	UTX09220-U01	SE-Cu fSn 2	600	
1	6-10	46211 Form A	10x4.3	10.00	10.50	19.00	26.00	1.20	E	UTX09221-T01	CuZn fSn 2	400	
1	6-10	46211 Form A	10x4.3	10.00	10.50	19.00	26.00	1.20	E	UTX09221-U01	SE-Cu fSn 2	400	
1	6-10	46211 Form A	12x4.3	10.00	13.00	22.00	28.00	1.20	E	UTX09222-U01	SE-Cu fSn 2	400	

Germany +49 (0) 202 460 3468

Europe +421 43 583 1311

United Kingdom +44 (0) 1986 891516



making the connection



FM 09860

8.0 - 2.4

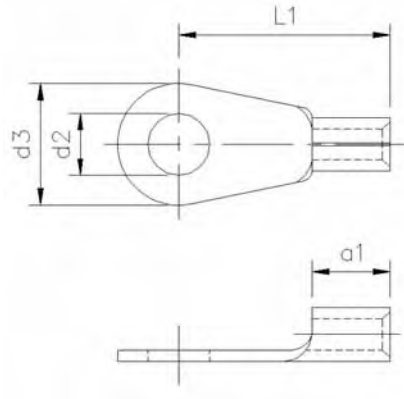
# Solder Tags Ring Type

## Lötkabelschuhe Ringform

### Attaches de Soudure Type Anneau



RING



Type	Wire Range	DIN	Nom. Size	a1	d2	d3	L1	Mat Thickness	E=Single B=Chain	Part Number	Material	Carton Size	Reel Size
Typ	Nennquerschnitt	DIN	Nom. Größe					Mat. dicke	E=Einzel B=Kette	Best Nr	Werkstoff	Menge pro Karton	Spulen größe
Type	Section câble	DIN	Nom. Taille					Epaisseur matériau	E=Simple B=Chaîne	Code Nr	Matière	Cartons à	Bobines à

1	10-16	46211 Form A	6x5.4	11.50	6.50	11.00	24.00	1.50	E	UTX09223-T01	CuZn fSn 2	500	
1	10-16	46211 Form A	6x5.4	11.50	6.50	11.00	24.00	1.50	E	UTX09223-U01	SE-Cu fSn 2	500	
1	10-16	46211 Form A	8x5.4	11.50	8.40	15.00	27.00	1.50	E	UTX09224-T01	CuZn fSn 2	400	
1	10-16	46211 Form A	8x5.4	11.50	8.40	15.00	27.00	1.50	E	UTX09224-U01	SE-Cu fSn 2	400	
1	10-16	46211 Form A	10x5.4	11.50	10.50	19.00	29.00	1.50	E	UTX09225-T01	CuZn fSn 2	300	
1	10-16	46211 Form A	10x5.4	11.50	10.50	19.00	29.00	1.50	E	UTX09225-U01	SE-Cu fSn 2	300	
1	10-16	46211 Form A	12x5.4	11.50	13.00	22.00	31.00	1.50	E	UTX09226-T01	CuZn fSn 2	250	
1	16-25	46211 Form A	6x6.8	13.50	6.50	13.00	27.00	1.80	E	UTX09227-T01	CuZn fSn 2	300	
1	16-25	46211 Form A	6x6.8	13.50	6.50	13.00	27.00	1.80	E	UTX09227-U01	SE-Cu fSn 2	300	
1	16-25	46211 Form A	8x6.8	13.50	8.40	15.00	30.00	1.80	E	UTX09228-B01	CuZn	250	
1	16-25	46211 Form A	8x6.8	13.50	8.40	15.00	30.00	1.80	E	UTX09228-T01	CuZn fSn 2	250	
1	16-25	46211 Form A	8x6.8	13.50	8.40	15.00	30.00	1.80	E	UTX09228-U01	SE-Cu fSn 2	250	
1	16-25	46211 Form A	10x6.8	13.50	10.50	19.00	32.00	1.80	E	UTX09229-T01	CuZn fSn 2	200	
1	16-25	46211 Form A	10x6.8	13.50	10.50	19.00	32.00	1.80	E	UTX09229-U01	SE-Cu fSn 2	200	
1	16-25	46211 Form A	12x6.8	13.50	13.00	22.00	35.00	1.80	E	UTX09230-T01	CuZn fSn 2	150	
1	16-25	46211 Form A	16x6.8	13.50	17.00	28.00	38.00	1.80	E	UTX09231-U01	SE-Cu fSn 2	150	
1	25-35	46211 Form A	8x8.2	16.00	8.40	15.00	33.00	2.00	E	UTX09232-B01	CuZn	150	
1	25-35	46211 Form A	8x8.2	16.00	8.40	15.00	33.00	2.00	E	UTX09232-T01	CuZn fSn 2	150	
1	25-35	46211 Form A	8x8.2	16.00	8.40	15.00	33.00	2.00	E	UTX09232-01	SE-Cu	150	
1	25-35	46211 Form A	8x8.2	16.00	8.40	15.00	33.00	2.00	E	UTX09232-U01	SE-Cu fSn 2	150	

Germany +49 (0) 202 460 3468

Europe +421 43 583 1311

United Kingdom +44 (0) 1986 891516



making the connection



FM 09860

8.0 - 2.5

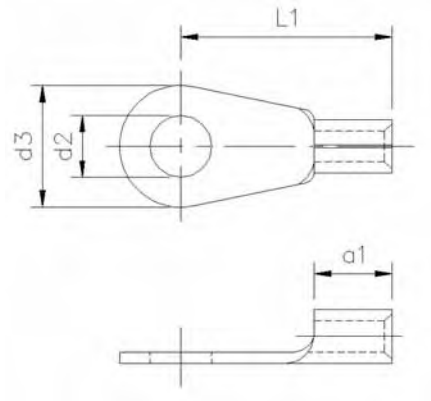
# Solder Tags Ring Type

## Lötkabelschuhe Ringform

## Attaches de Soudure Type Anneau



RING



Type	Wire Range	DIN	Nom. Size	a1	d2	d3	L1	Mat Thickness	E=Single B=Chain	Part Number	Material	Carton Size	Reel Size
Typ	Nennquerschnitt	DIN	Nom. Größe					Mat. dicke	E=Einzel B=Kette	Best Nr	Werkstoff	Menge pro Karton	Spulen größe
Type	Section câble	DIN	Nom. Taille					Epaisseur matériau	E=Simple B=Chaîne	Code Nr	Matière	Cartons à	Bobines à

1	25-35	46211 Form A	10x8.2	16.00	10.50	19.00	35.00	2.00	E	UTX09233-B01	CuZn	150	
1	25-35	46211 Form A	10x8.2	16.00	10.50	19.00	35.00	2.00	E	UTX09233-T01	CuZn fSn 2	150	
1	25-35	46211 Form A	10x8.2	16.00	10.50	19.00	35.00	2.00	E	UTX09233-U01	SE-Cu fSn 2	150	
1	25-35	46211 Form A	12x8.2	16.00	13.00	22.00	38.00	2.00	E	UTX09234-T01	CuZn fSn 2	125	
1	35-50	46211 Form A	8x9.5	19.00	8.40	17.00	36.00	2.50	E	UTX09236-B01	CuZn	100	
1	35-50	46211 Form A	8x9.5	19.00	8.40	17.00	36.00	2.50	E	UTX09236-T01	CuZn fSn 2	100	
1	35-50	46211 Form A	8x9.5	19.00	8.40	17.00	36.00	2.50	E	UTX09236-U01	SE-Cu fSn 2	100	
1	35-50	46211 Form A	10x9.5	19.00	10.50	19.00	38.00	2.50	E	UTX09237-B01	CuZn	100	
1	35-50	46211 Form A	10x9.5	19.00	10.50	19.00	38.00	2.50	E	UTX09237-T01	CuZn fSn 2	100	
1	35-50	46211 Form A	10x9.5	19.00	10.50	19.00	38.00	2.50	E	UTX09237-U01	SE-Cu fSn 2	100	
1	35-50	46211 Form A	12x9.5	19.00	13.00	22.00	41.00	2.50	E	UTX09238-B01	CuZn	75	
1	35-50	46211 Form A	12x9.5	19.00	13.00	22.00	41.00	2.50	E	UTX09238-T01	CuZn fSn 2	75	
1	35-50	46211 Form A	12x9.5	19.00	13.00	22.00	41.00	2.50	E	UTX09238-U01	SE-Cu fSn 2	75	
1	50-70	46211 Form A	10x11.2	24.00	10.50	21.00	44.00	3.00	E	UTX09240-B01	CuZn	50	
1	50-70	46211 Form A	10x11.2	24.00	10.50	21.00	44.00	3.00	E	UTX09240-T01	CuZn fSn 2	50	
1	50-70	46211 Form A	10x11.2	24.00	10.50	21.00	44.00	3.00	E	UTX09240-U01	SE-Cu fSn 2	50	
1	50-70	46211 Form A	12x11.2	24.00	13.00	22.00	47.00	3.00	E	UTX09241-B01	CuZn	50	
1	50-70	46211 Form A	12x11.2	24.00	13.00	22.00	47.00	3.00	E	UTX09241-T01	CuZn fSn 2	50	
1	50-70	46211 Form A	12x11.2	24.00	13.00	22.00	47.00	3.00	E	UTX09241-U01	SE-Cu fSn 2	50	
1	50-70	46211 Form A	16x11.2	24.00	17.00	28.00	50.00	3.00	E	UTX09242-U01	SE-Cu fSn 2	50	

Germany +49 (0) 202 460 3468

Europe +421 43 583 1311

United Kingdom +44 (0) 1986 891516



making the connection



FM 09860

8.0 - 2.6

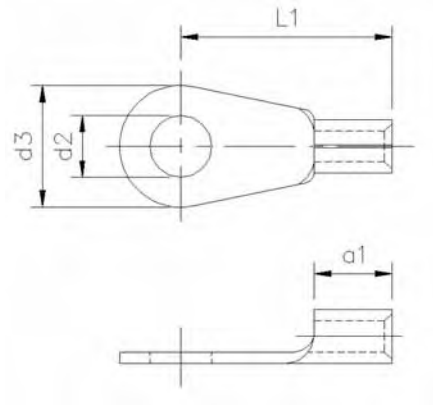
Solder Tags Ring Type

Lötkabelschuhe Ringform

Attaches de Soudure Type Anneau



RING



Type	Wire Range	DIN	Nom. Size	a1	d2	d3	L1	Mat Thickness	E=Single B=Chain	Part Number	Material	Carton Size	Reel Size
Typ	Nennquerschnitt	DIN	Nom. Größe					Mat. dicke	E=Einzel B=Kette	Best Nr	Werkstoff	Menge pro Karton	Spulen größe
Type	Section câble	DIN	Nom. Taille					Epaisseur matériau	E=Simple B=Chaîne	Code Nr	Matière	Cartons à	Bobines à
1	70-95	46211 Form A	10x13.5	24.00	10.50	21.00	44.00	3.50	E	UTX09243-T01	CuZn fSn 2	40	
1	70-95	46211 Form A	10x13.5	24.00	10.50	21.00	44.00	3.50	E	UTX09243-U01	SE-Cu fSn 2	50	
1	70-95	46211 Form A	12x13.5	24.00	13.00	22.00	47.00	3.50	E	UTX09244-B01	CuZn	40	
1	70-95	46211 Form A	12x13.5	24.00	13.00	22.00	47.00	3.50	E	UTX09244-T01	CuZn fSn 2	40	
1	70-95	46211 Form A	12x13.5	24.00	13.00	22.00	47.00	3.50	E	UTX09244-U01	SE-Cu fSn 2	40	

Germany +49 (0) 202 460 3468

Europe +421 43 583 1311

United Kingdom +44 (0) 1986 891516



making the connection



FM 09860

8.0 - 2.7

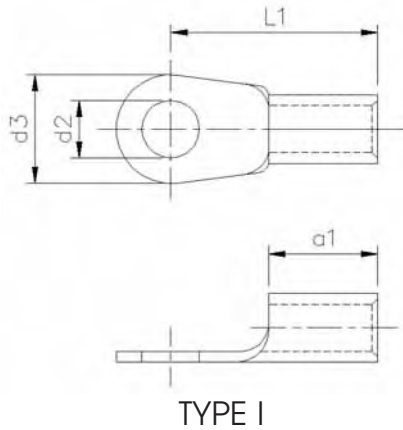
# Solder Tags Ring Type

Lötkabelschuhe Ringform  
Ähnlich Din 46211

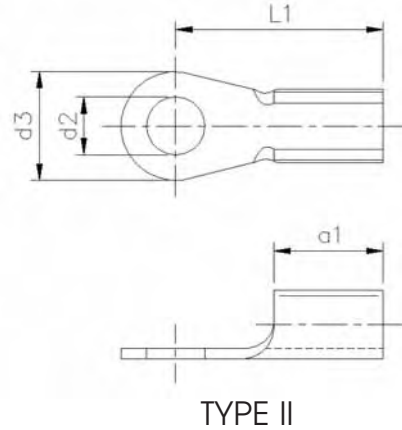
Attaches de Soudure Type Anneau



RING



TYPE I



TYPE II

Type	Wire Range	Nom. Size	a1	d2	d3	L1	Mat. Thickness	E=Single B=Chain	Part Number	Material	Carton Size	Reel Size
Typ	Nenniger Schnitt	Nom. Größe	a1	d2	d3	L1	Mat. dicke	E=Einzel B=Kette	Best nr	Werkstoff	Menge pro Karton	Spulen Größe
Type	Section Range	Nom. Taille	a1	d2	d3	L1	Epaisseur matériau	E=Simple B=Chaîne	Code nr	Matière	Cartons à	Bobines à

1	16	6x5.4	11.50	6.40	11.00	24.00	1.00	E	UTX09513-U01	SE-Cu fSn 2	600	
1	25	8x6.8	13.50	8.40	15.00	30.00	1.20	E	UTX09519-M01	SE-Cu	300	
1	25	8x6.8	13.50	8.40	15.00	30.00	1.20	E	UTX09519-U01	SE-Cu fSn 2	300	
1	35	8x8.2	16.00	8.40	15.00	33.00	1.50	E	UTX09520-U01	SE-Cu fSn 2	200	
1	35	10x8.2	16.00	10.50	19.00	35.00	1.50	E	UTX09526-M01	SE-Cu	150	
1	35	10x8.2	16.00	10.50	19.00	35.00	1.50	E	UTX09526-U01	SE-Cu fSn 2	150	
1	35	12x8.2	16.00	13.00	22.00	38.00	1.50	E	UTX09533-U01	SE-Cu fSn 2	150	
1	50	8x9.5	19.00	8.40	17.00	36.00	1.80	E	UTX09521-M01	SE-Cu	100	
1	50	8x9.5	19.00	8.40	17.00	36.00	1.80	E	UTX09521-U01	SE-Cu fSn 2	100	
1	50	10x9.5	19.00	10.50	19.00	38.00	1.80	E	UTX09594-M01	SE-Cu	100	
1	50	10x9.5	19.00	10.50	19.00	38.00	1.80	E	UTX09594-U01	SE-Cu fSn 2	100	
1	50	12x9.5	19.00	13.00	22.00	41.00	1.80	E	UTX09534-M01	SE-Cu	100	
1	50	12x9.5	19.00	13.00	22.00	41.00	1.80	E	UTX09534-U01	SE-Cu fSn 2	100	
1	70	10x11.2	24.00	10.50	21.00	44.00	2.00	E	UTX09596-M01	SE-Cu	75	
1	70	10x11.2	24.00	10.50	21.00	44.00	2.00	E	UTX09596-U01	SE-Cu fSn 2	75	
1	70	12x11.2	24.00	13.00	22.00	47.00	2.00	E	UTX09535-M01	SE-Cu	50	
1	70	12x11.2	24.00	13.00	22.00	47.00	2.00	E	UTX09535-U01	SE-Cu fSn 2	50	
1	95	10x13.5	24.00	10.50	21.00	44.00	2.50	E	UTX09529-U01	SE-Cu fSn 2	60	
2	6-10	6x4.3	10.00	6.50	11.00	21.00	1.20	E	UTX09319-B01	CuZn	750	
2	6-10	6x4.3	10.00	6.50	11.00	21.00	1.20	E	UTX09319-U01	CuZn fSn 2	750	
2	10-16	8x5.4	11.50	8.40	15.00	27.00	1.50	E	UTX09324-B01	CuZn	350	
2	35-50	8x9.5	19.00	8.40	17.00	36.00	2.50	E	UTX09336-U01	CuZn fSn 2	100	

Germany +49 (0) 202 460 3468

Europe +421 43 583 1311

United Kingdom +44 (0) 1986 891516



making the connection



FM 09860

8.0 - 2.8