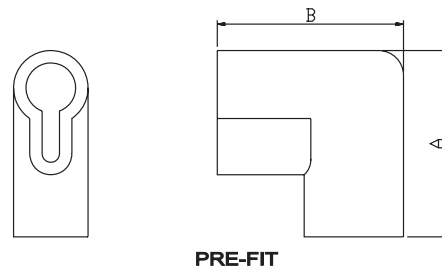
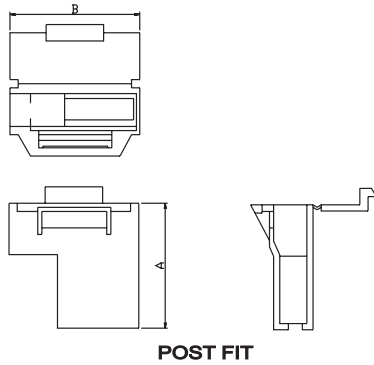


Insulators - Flag

Kunststoffgehäuse Winkelform

Isolateurs - Drapeaux



Fit	Material	Colour	A	B	Terminal	Pack Size	Part Number	Approvals
Sitz	Werkstoff	Farbe	A	B	Zum Einstecken von Verbindern	Packungsgröße	Best Nr	Zulassungen
Ajustement	Matière	Coloris			Correspond aux Clips	Unité d'emballage	Code Nr	Homologations

Pre-Fit	P.V.C.	Clear	17.0	12.6	48FR05-10CB 7 amp; 48FR08-10 (All Types)	5K	48-IFAD2	
Post-Fit	Polyethylene	Natural	17.1	12.3	48FR05-10CB 7 amp; 48FR08-10 (All Types)	5K	48-IFBD2	
Pre-Fit	P.V.C.	Clear	15.0	15.0	48FR05-10CB 7 amp; 48FR08-10 (All Types)	5K	48-IFAD2-2	
Post-Fit	Polypropylene	Natural	16.2	15.8	Ask for information	5K	63-IFBC1	
Post-Fit	P.V.C.	Natural	16.2	15.8	Ask for information	5K	63-IFBA1	
Post-Fit	Polypropylene	White	18.6	15.5	Ask for information	5K	63-IFBC3	
Pre-Fit	P.V.C.	Natural	17.0	14.3	Ask for information	10K	63-IFAD1	
Pre-Fit	P.V.C.	Black	15.5	14.4	Ask for information	5K	63-IFAD4	
Pre-Fit	P.V.C.	Natural	15.5	14.4	Ask for information	5K	63-IFAD1-2	
Pre-Fit	Rubber	Black	15.5	14.4	Ask for information	5K	63-IFAG4	
Post-Fit	P.V.C.	Black	17.5	13.6	Ask for information	5K	63-IFBA4	
Pre-Fit	P.V.C.	Natural	18.2	16.7	Ask for information	5K	63-IFAD1-3	
Post-Fit	P.V.C.	Black	15.8	15.2	Ask for information	5K	63-IFBA4-2	
Post-Fit	P.V.C.	Natural	17.5	13.6	Book Type	5K	63-IFBA1-2	
Pre-Fit	P.V.C.	Natural	33.0	6.5	Bullet terminals	5K	00-IBBD1	
Post-Fit	No Flame	Camel	15.2	12.7	Most	5K	63-IFBH1	

Germany +49 (0) 202 460 3468

Europe +421 43 583 1311

United Kingdom +44 (0) 1986 891516



making the connection



7.0 - 1.2