

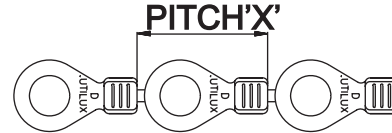
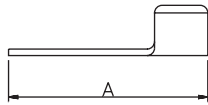
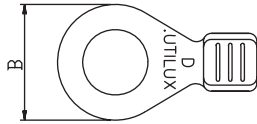
Eye Terminals without Insulation Support

Ringkabelschuhe Ohne Isolationshalterung

Connecteurs Ronds Sans Support Isolant



ET
2-3mm



Wire Range	Max Insertion	Hole Size	Mat Thickness	Material	A	B	X	Reel Size	Carton Size	Part Number	Approvals
Nennquerschnitt	Stift	Lochgröße	Mat. dicke	Werkstoff				Spulengröße	Menge pro Karton	Best Nr	Zulassungen
Section câble	Gaine	Bornage	Épaisseur matériau	Matière				Bobines à	Cartons à	Code Nr	Homologations

Ribbed Palm

0.5-1.5	-	2.5	0.45	CuZn	9.8	6.5	11.0	20K	60K	ET-532EB	UL
0.5-1.5	-	2.5	0.45	CuZn gal Sn	9.8	6.5	11.0	20K	60K	ET-532EC	UL
0.5-1.5	-	2.5	0.45	CuNi Zn	9.8	6.5	11.0	20K	60K	ET-532ED	
0.5-1.5	-	3.7	0.45	CuZn	9.8	6.5	-	20K	60K	ET-533EB	UL
0.5-1.5	-	3.7	0.45	CuZn gal Sn	9.8	6.5	-	20K	60K	ET-533EC	UL
0.5-1.5	-	3.7	0.45	CuNi Zn	9.8	6.5	-	20K	60K	ET-533ED	

Plain Hole to Suit 3mm Stud

0.5-1.5	-	3.4	0.50	CuZn	13.1	7.5	14.7	10K	30K	ET-133EB	
0.5-1.5	-	3.4	0.50	CuZn gal Sn	13.1	7.5	14.7	10K	30K	ET-133EC	
0.5-1.3	-	3.7	0.45	CuZn	9.3	5.5	11.1	20K	60K	ET-133DB	
0.5-1.3	-	3.7	0.45	CuZn gal Sn	9.3	5.5	11.1	20K	60K	ET-133DC	
0.5-1.3	-	3.7	0.45	St gal Ni	9.3	5.5	11.1	20K	60K	ET-133DD	
0.5-1.3	-	3.4	0.45	CuZn	9.3	5.5	11.1	20K	60K	ET-133DB-2	
0.5-1.3	-	3.4	0.45	CuZn gal Sn	9.3	5.5	11.1	20K	60K	ET-133DC-2	
0.5-1.3	-	3.4	0.45	St gal Ni	9.3	5.5	11.1	20K	60K	ET-133DD-2	

0.4-1.0	-	3.5	0.425	CuZn	12.7	7.6	9.3	10K	30K	ET-133CB	UL
0.4-1.0	-	3.5	0.425	CuZn gal Sn	12.7	7.6	9.3	10K	30K	ET-133CC	UL
0.4-1.0	-	3.5	0.425	CuNi Zn	12.7	7.6	9.3	10K	30K	ET-133CD	
0.4-1.0	-	3.5	0.425	St gal Ni	12.7	7.6	9.3	10K	30K	ET-133CE	

Germany +49 (0) 202 460 3468

Europe +421 43 583 1311

United Kingdom +44 (0) 1986 891516



making the connection



5.0 - 1.5

FM 09860

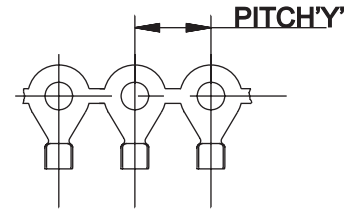
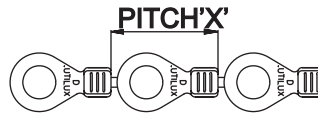
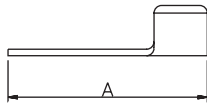
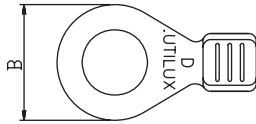
Eye Terminals without Insulation Support

Ringkabelschuhe Ohne Isolationshalterung

Connecteurs Ronds Sans Support Isolant



ET
4-5mm



Wire Range	Max Insertion	Hole Size	Mat Thickness	Material	A	B	X	Y	Reel Size	Carton Size	Part Number	Approvals
Nennquerschnitt	Stift	Lochgrösse	Mat. dicke	Werkstoff					Spulengrösse	Menge pro Karton	Best Nr	Zulassungen
Section câble	Gaine	Bornage	Épaisseur matériau	Matière					Bobines à	Cartons à	Code Nr	Homologations

Ribbed Palm

0.5-1.5	-	4.2	0.450	CuZn	9.8	6.5	11.0	-	20K	60K	ET-534EB	UL
0.5-1.5	-	4.2	0.450	CuZn gal Sn	9.8	6.5	11.0	-	20K	60K	ET-534EC	UL
0.5-1.5	-	4.2	0.450	CuNi Zn	9.8	6.5	11.0	-	20K	60K	ET-534ED	

0.4-1.0	-	4.3	0.425	CuZn	12.7	7.6	-	9.3	10K	30K	ET-134CB	UL
0.4-1.0	-	4.3	0.425	CuZn gal Sn	12.7	7.6	-	9.3	10K	30K	ET-134CC	UL
0.4-1.0	-	4.3	0.425	CuNi Zn	12.7	7.6	-	9.3	10K	30K	ET-134CD	
0.4-1.0	-	4.3	0.425	St gal Ni	12.7	7.6	-	9.3	10K	30K	ET-134CE	

Plain Hole to Suit 5mm Stud

0.4-1.0	-	5.1	0.425	CuZn	12.7	7.6	-	9.3	10K	30K	ET-135CB	UL
0.4-1.0	-	5.1	0.425	CuZn gal Sn	12.7	7.6	-	9.3	10K	30K	ET-135CC	UL
0.4-1.0	-	5.1	0.425	CuNi Zn	12.7	7.6	-	9.3	10K	30K	ET-135CD	UL

0.4-1.0	-	5.1	0.425	St gal Ni	12.7	7.6	-	9.3	10K	30K	ET-135CE	
---------	---	-----	-------	-----------	------	-----	---	-----	-----	-----	----------	--

Germany +49 (0) 202 460 3468

Europe +421 43 583 1311

United Kingdom +44 (0) 1986 891516



making the connection



5.0 - 1.6

FM 09860

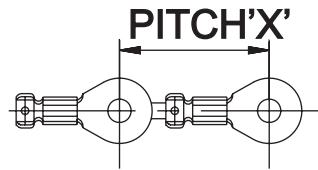
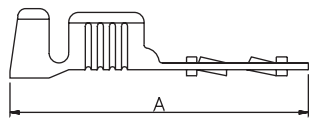
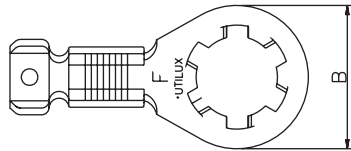
Eye Terminals - Anti-vibration with Insulation Support

Ringkabelschuhe Mit Innenverzahnung

Connecteurs Ronds Anti-vibration Avec Support Isolant



ET
3-5mm



Wire Range	Max Insertion	Hole Size	Mat Thickness	Material	A	B	X	Y	Reel Size	Carton Size	Part Number	Approvals
Nennquerschnitt	Stift	Lochgrösse	Mat. dicke	Werkstoff					Spulengrösse	Menge pro Karton	Best Nr	Zulassungen
Section câble	Gaine	Bornage	Epaisseur matériau	Matière					Bobines à	Cartons à	Code Nr	Homologations

0.7-2.1	4.0	3.4	0.45	CuZn	19.8	9.5	21.8	-	6K	18K	ET-213GB	
0.7-2.1	4.0	3.4	0.45	CuZn gal Sn	19.8	9.5	21.8	-	6K	18K	ET-213GC	
0.7-2.1	4.0	3.4	0.45	CuNi Zn	19.8	9.5	21.8	-	6K	18K	ET-213GD	
0.7-2.1	4.0	3.4	0.45	St gal Ni	19.8	9.5	21.8	-	6K	18K	ET-213GE	
0.7-2.1	4.0	4.4	0.45	CuZn	19.8	9.5	21.8	-	6K	18K	ET-214GB	
0.7-2.1	4.0	4.4	0.45	CuZn gal Sn	19.8	9.5	21.8	-	6K	18K	ET-214GC	
0.7-2.1	4.0	4.4	0.45	CuNi Zn	19.8	9.5	21.8	-	6K	18K	ET-214GD	
0.7-2.1	4.0	4.4	0.45	St gal Ni	19.8	9.5	21.8	-	6K	18K	ET-214GE	
0.7-2.1	4.0	5.4	0.45	CuZn	19.8	9.5	21.8	-	6K	18K	ET-215GB	
0.7-2.1	4.0	5.4	0.45	CuZn gal Sn	19.8	9.5	21.8	-	6K	18K	ET-215GC	
0.7-2.1	4.0	5.4	0.45	CuNi Zn	19.8	9.5	21.8	-	6K	18K	ET-215GD	
0.7-2.1	4.0	5.4	0.45	St gal Ni	19.8	9.5	21.8	-	6K	18K	ET-215GE	

Germany +49 (0) 202 460 3468

Europe +421 43 583 1311

United Kingdom +44 (0) 1986 891516



making the connection



5.0 - 1.7

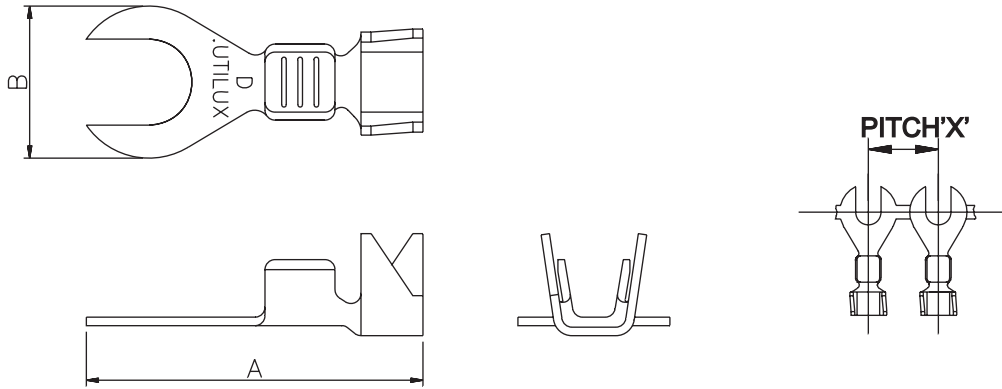
Slotted Terminals with Insulation Support

Kabelschuhe (Gabeltyp)
Mit Isolationshalterung

Connecteurs Encastrés
Avec Support Isolant



ST
3-5mm



Wire Range	Max Insertion	Hole Size	Mat Thickness	Material	A	B	X	Y	Reel Size	Carton Size	Part Number	Approvals
Nennquerschnitt	Stift	Lochgröße	Mat. dicke	Werkstoff					Spulengröße	Menge pro Karton	Best Nr	Zulassungen
Section câble	Gaine	Bornage	Épaisseur matériau	Matière					Bobines à	Cartons à	Code Nr	Homologations

0.4-1.0	3.5	3.5	0.425	CuZn	17.0	7.6	9.3	-	3K	9K	ST-113CB	
0.4-1.0	3.5	3.5	0.425	CuZn gal Sn	17.0	7.6	9.3	-	3K	9K	ST-113CC	
0.4-1.0	3.5	3.5	0.425	CuNi Zn	17.0	7.6	9.3	-	3K	9K	ST-113CD	
0.4-1.0	3.5	3.5	0.425	St gal Ni	17.0	7.6	9.3	-	3K	9K	ST-113CE	
0.4-1.0	3.5	4.3	0.425	CuZn	16.8	7.6	9.3	-	3K	9K	ST-114CB	
0.4-1.0	3.5	4.3	0.425	CuZn gal Sn	16.8	7.6	9.3	-	3K	9K	ST-114CC	
0.4-1.0	3.5	4.3	0.425	CuNi Zn	16.8	7.6	9.3	-	3K	9K	ST-114CD	
0.4-1.0	3.5	4.3	0.425	St gal Ni	16.8	7.6	9.3	-	3K	9K	ST-114CE	
0.4-1.0	3.5	5.1	0.425	CuZn	16.5	7.6	9.3	-	3K	9K	ST-115CB	
0.4-1.0	3.5	5.1	0.425	CuZn gal Sn	16.5	7.6	9.3	-	3K	9K	ST-115CC	
0.4-1.0	3.5	5.1	0.425	CuNi Zn	16.5	7.6	9.3	-	3K	9K	ST-115CD	
0.4-1.0	3.5	5.1	0.425	St gal Ni	16.5	7.6	9.3	-	3K	9K	ST-115CE	

Germany +49 (0) 202 460 3468

Europe +421 43 583 1311

United Kingdom +44 (0) 1986 891516



making the connection



5.0 - 1.8

Slotted Terminals without Insulation Support

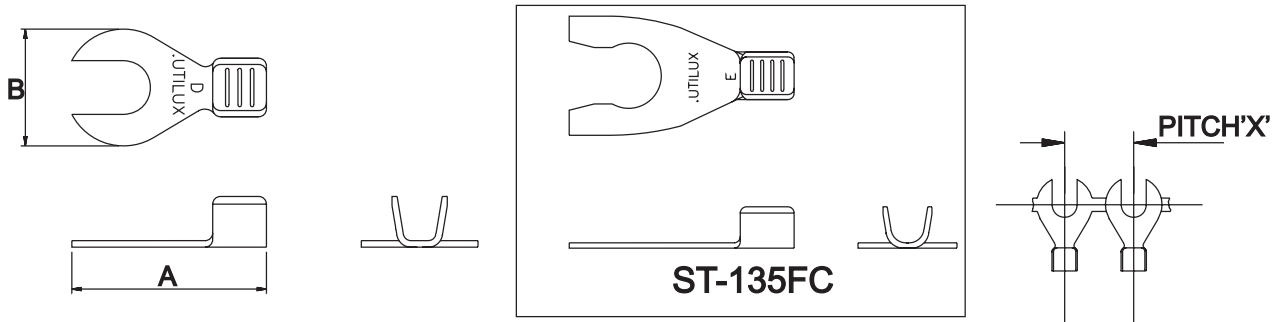
Kabelschuhe (Gabeltyp)

Ohne Isolationshalterung

Connecteurs Encastrés Sans Support Isolant



ST
3-5mm



Wire Range	Max Insertion	Hole Size	Mat Thickness	Material	A	B	X	Y	Reel Size	Carton Size	Part Number	Approvals
Nennquerschnitt	Stift	Lochgröße	Mat. dicke	Werkstoff					Spulengröße	Menge pro Karton	Best Nr	Zulassungen
Section câble	Gaine	Bornage	Épaisseur matériau	Matière					Bobines à	Cartons à	Code Nr	Homologations

0.4-1.0	-	3.5	0.425	CuZn	12.3	7.6	9.3	-	10K	30K	ST-133CB	
0.4-1.0	-	3.5	0.425	CuZn gal Sn	12.3	7.6	9.3	-	10K	30K	ST-133CC	
0.4-1.0	-	3.5	0.425	CuNi Zn	12.3	7.6	9.3	-	10K	30K	ST-133CD	
0.4-1.0	-	3.5	0.425	St gal Ni	12.3	7.6	9.3	-	10K	30K	ST-133CE	
0.4-1.0	-	4.3	0.425	CuZn	12.0	7.6	9.3	-	10K	30K	ST-134CB	
0.4-1.0	-	4.3	0.425	CuZn gal Sn	12.0	7.6	9.3	-	10K	30K	ST-134CC	
0.4-1.0	-	4.3	0.425	CuNi Zn	12.0	7.6	9.3	-	10K	30K	ST-134CD	
0.4-1.0	-	4.3	0.425	St gal Ni	12.0	7.6	9.3	-	10K	30K	ST-134CE	
0.4-1.0	-	5.1	0.425	CuZn	11.7	7.6	9.3	-	10K	30K	ST-135CB	
0.4-1.0	-	5.1	0.425	CuZn gal Sn	11.7	7.6	9.3	-	10K	30K	ST-135CC	
0.4-1.0	-	5.1	0.425	CuNi Zn	11.7	7.6	9.3	-	10K	30K	ST-135CD	
0.4-1.0	-	5.1	0.425	St gal Ni	11.7	7.6	9.3	-	10K	30K	ST-135CE	

Germany +49 (0) 202 460 3468

Europe +421 43 583 1311

United Kingdom +44 (0) 1986 891516



making the connection



5.0 - 1.9