

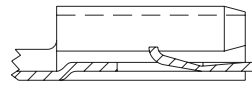
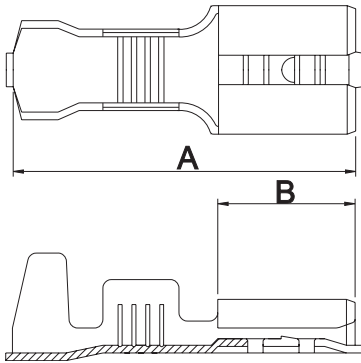
Straight Receptacles

Gerade Flachsteckhülsen
Mit Festverriegelung

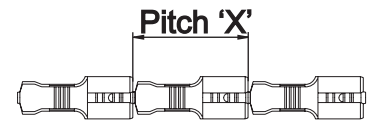
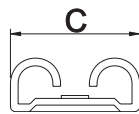
Clips Droits



4.8
x 0.5



**INTERNAL LOCKING
LATCH DETAIL**
Mit festverriegelung
Avec verrouillage



Wire Range	Max.Ins	Tab Thickness	Mat Thickness	Material	A	B	C	X	Reel Size	Carton Size	Part Number	Approvals
Nennquerschnitt	Stift	Steckerdicke	Mat.dicke	Werkstoff	A	B	C	X	Spulen größe	Menge pro karton	Best Nr	Zulassungen
Section câble	Gaine	Epaisseur languette	Epaisseur matériau	Matière					Bobines à	Cartons à	Code Nr	Homologations

1-Wire (4.8x0.5)

0.4-1.0	3.3	0.5	0.36	CuZn	15.4	6.4	5.8	17.4	10K	30K	48SR05-10CB	UL
0.4-1.0	3.3	0.5	0.36	CuZn gal Sn	15.4	6.4	5.8	17.4	10K	30K	48SR05-10CC	UL
0.4-1.0	3.3	0.5	0.36	CuNi Zn	15.4	6.4	5.8	17.4	10K	30K	48SR05-10CD	UL
0.4-1.0	3.3	0.5	0.36	St gal Ni	15.4	6.4	5.8	17.4	10K	30K	48SR05-10CE	
0.4-1.0	3.3	0.5	0.36	CuSn	15.4	6.4	5.8	17.4	10K	30K	48SR05-10CA	

Internal Locking Latch

0.4-1.0	3.3	0.5	0.30	CuSn	15.4	6.4	5.8	17.4	10K	30K	48SR05-14CA	UL
0.4-1.0	3.3	0.5	0.30	CuSn gal Sn	15.4	6.4	5.8	17.4	10K	30K	48SR05-14CG	UL

2-Wire (4.8x0.5)

0.4-1.0x2	2.8x2	0.5	0.40	CuZn	15.4	6.4	5.8	17.4	6K	18K	48SR05-12CB	
0.4-1.0x2	2.8x2	0.5	0.40	CuZn gal Sn	15.4	6.4	5.8	17.4	6K	18K	48SR05-12CC	
0.4-1.0x2	2.8x2	0.5	0.40	CuNi Zn	15.4	6.4	5.8	17.4	6K	18K	48SR05-12CD	
0.4-1.0x2	2.8x2	0.5	0.40	St gal Ni	15.4	6.4	5.8	17.4	6K	18K	48SR05-12CE	
0.4-1.0x2	2.8x2	0.5	0.40	CuSn	15.4	6.4	5.8	17.4	6K	18K	48SR05-12CA	

Germany +49 (0) 202 460 3468

Europe +421 43 583 1311

United Kingdom +44 (0) 1986 891516



making the connection



FM 09860

2.0 - 1.1

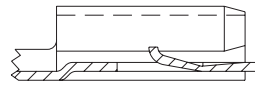
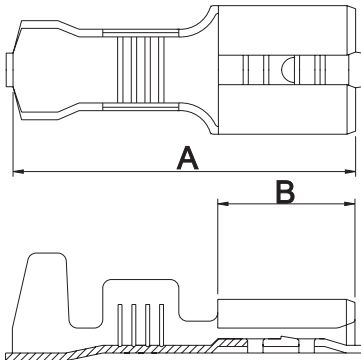
Straight Receptacles

Gerade Flachsteckhülsen
Mit Festverriegelung

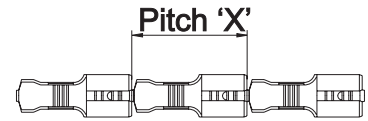
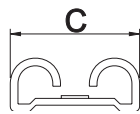
Clips Droits



4.8
x 0.8



**INTERNAL LOCKING
LATCH DETAIL**
Mit festverriegelung
Avec verrouillage



Wire Range	Max.Ins	Tab Thickness	Mat Thickness	Material	A	B	C	X	Reel Size	Carton Size	Part Number	Approvals
Nennquerschnitt	Stift	Steckerdicke	Mat.dicke	Werkstoff	A	B	C	X	Spulen größe	Menge pro karton	Best Nr	Zulassungen
Section câble	Gaine	Epaisseur languette	Epaisseur matériau	Matière					Bobines à	Cartons à	Code Nr	Homologations

1-Wire (4.8x0.8)

0.4-1.0	3.3	0.8	0.36	CuZn	14.8	6.5	5.9	17.4	10K	30K	48SR08-10CB	UL
0.4-1.0	3.3	0.8	0.36	CuZn gal Sn	14.8	6.5	5.9	17.4	10K	30K	48SR08-10CC	UL
0.4-1.0	3.3	0.8	0.36	CuNi Zn	14.8	6.5	5.9	17.4	10K	30K	48SR08-10CD	UL
0.4-1.0	3.3	0.8	0.36	St gal Ni	14.8	6.5	5.9	17.4	10K	30K	48SR08-10CE	
0.4-1.0	3.3	0.8	0.36	CuSn	14.8	6.5	5.9	17.4	10K	30K	48SR08-10CA	

Internal Locking Latch

0.4-1.0	3.3	0.8	0.30	CuSn	14.8	6.5	5.9	17.4	10K	30K	48SR08-15CA	UL
0.4-1.0	3.3	0.8	0.30	CuSn gal Sn	14.8	6.5	5.9	17.4	10K	30K	48SR08-15CG	

2-Wire (4.8x0.8) - Std.

0.4-1.0x2	2.8x2	0.8	0.40	CuZn	16.8	6.4	5.8	18.8	6K	18K	48SR08-12CB	
0.4-1.0x2	2.8x2	0.8	0.40	CuZn gal Sn	16.8	6.4	5.8	18.8	6K	18K	48SR08-12CC	
0.4-1.0x2	2.8x2	0.8	0.40	CuNi Zn	16.8	6.4	5.8	18.8	6K	18K	48SR08-12CD	
0.4-1.0x2	2.8x2	0.8	0.40	St gal Ni	16.8	6.4	5.8	18.8	6K	18K	48SR08-12CE	
0.4-1.0x2	2.8x2	0.8	0.40	CuSn	16.8	6.4	5.8	18.8	6K	18K	48SR08-12CA	

Germany +49 (0) 202 460 3468

Europe +421 43 583 1311

United Kingdom +44 (0) 1986 891516



making the connection



FM 09860

2.0 - 1.2

Straight Receptacles, Low Insertion

Gerade Flachsteckhülse

Steckkraftreduziert

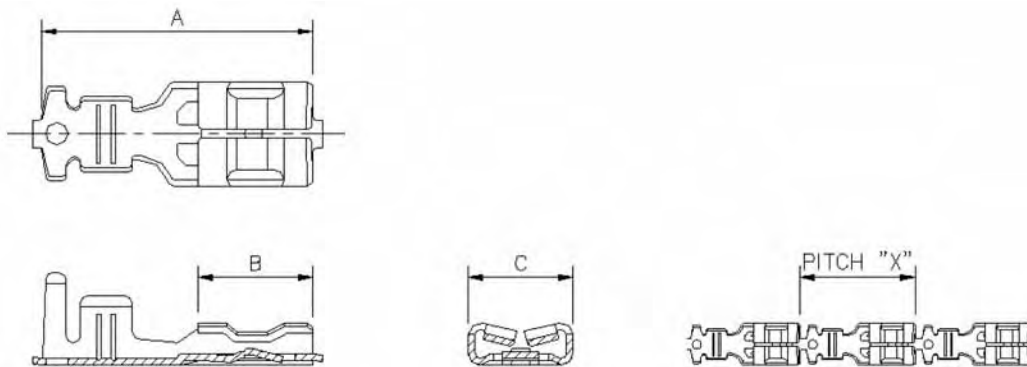
Clips Droits, Insertion Basse



4.8

x 0.5

x 0.8



Wire Range	Max.Ins	Tab Thickness	Mat Thickness	Material	A	B	C	X	Reel Size	Carton Size	Part Number	Approvals
Nennquerschnitt	Stift	Steckerdicke	Mat.dicke	Werkstoff	A	B	C	X	Spulen grösse	Menge pro karton	Best Nr	Zulassungen
Section câble	Gaine	Epaisseur languette	Epaisseur matériau	Matériau					Bobines à	Cartons à	Code Nr	Homologations

Box Section, Low Insertion (4.8x0.5) - Leicht steckbar - Einfachget

0.5-1.0	3.3	0.5	0.36	CuZn	14.8	6.5	5.9	16.8	10K	30K	48SB05-20DB	
0.5-1.0	3.3	0.5	0.36	CuZn gal Sn	14.8	6.5	5.9	16.8	10K	30K	48SB05-20DC	
0.5-1.0	3.3	0.5	0.36	CuNi Zn	14.8	6.5	5.9	16.8	10K	30K	48SB05-20DD	☑
0.5-1.0	3.3	0.5	0.36	St gal Ni	14.8	6.5	5.9	16.8	10K	30K	48SB05-20DE	
0.5-1.0	3.3	0.5	0.36	CuSn	14.8	6.5	5.9	16.8	10K	30K	48SB05-20DA	
0.5-1.0	3.3	0.5	0.36	CuSn gal SN	14.8	6.5	5.9	16.8	10K	30K	48SB05-20DG	
1.0-2.5	3.3	0.5	0.36	CuZn	14.8	6.5	5.9	16.8	10K	30K	48SB05-20HB	
1.0-2.5	3.3	0.5	0.36	CuZn gal Sn	14.8	6.5	5.9	16.8	10K	30K	48SB05-20HC	
1.0-2.5	3.3	0.5	0.36	CuNi Zn	14.8	6.5	5.9	16.8	10K	30K	48SB05-20HD	☑
1.0-2.5	3.3	0.5	0.36	ST gal Ni	14.8	6.5	5.9	16.8	10K	30K	48SB05-20HE	
1.0-2.5	3.3	0.5	0.36	CuSn	14.8	6.5	5.9	16.8	10K	30K	48SB05-20HA	
1.0-2.5	3.3	0.5	0.36	CuSn gal SN	14.8	6.5	5.9	16.8	10K	30K	48SB05-20HG	
0.5-1.0	3.3	0.8	0.36	CuZn	14.8	6.5	5.9	16.8	10K	30K	48SB08-20DB	
0.5-1.0	3.3	0.8	0.36	CuZn gal Sn	14.8	6.5	5.9	16.8	10K	30K	48SB08-20DC	
0.5-1.0	3.3	0.8	0.36	CuNi Zn	14.8	6.5	5.9	16.8	10K	30K	48SB08-20DD	☑
0.5-1.0	3.3	0.8	0.36	St gal Ni	14.8	6.5	5.9	16.8	10K	30K	48SB08-20DE	
0.5-1.0	3.3	0.8	0.36	CuSn	14.8	6.5	5.9	16.8	10K	30K	48SB08-20DA	
0.5-1.0	3.3	0.8	0.36	CuSn gal SN	14.8	6.5	5.9	16.8	10K	30K	48SB08-20DG	
1.0-2.5	3.3	0.8	0.36	CuZn	14.8	6.5	5.9	16.8	10K	30K	48SB08-20HB	
1.0-2.5	3.3	0.8	0.36	CuZn gal Sn	14.8	6.5	5.9	16.8	10K	30K	48SB08-20HC	
1.0-2.5	3.3	0.8	0.36	CuNi Zn	14.8	6.5	5.9	16.8	10K	30K	48SB08-20HD	☑
1.0-2.5	3.3	0.8	0.36	St gal Ni	14.8	6.5	5.9	16.8	10K	30K	48SB08-20HE	
1.0-2.5	3.3	0.8	0.36	CuSn	14.8	6.5	5.9	16.8	10K	30K	48SB08-20HA	
1.0-2.5	3.3	0.8	0.36	CuSn gal SN	14.8	6.5	5.9	16.8	10K	30K	48SB08-20HG	

Germany +49 (0) 202 460 3468

Europe +421 43 583 1311

United Kingdom +44 (0) 1986 891516



making the connection



2.0 - 1.3

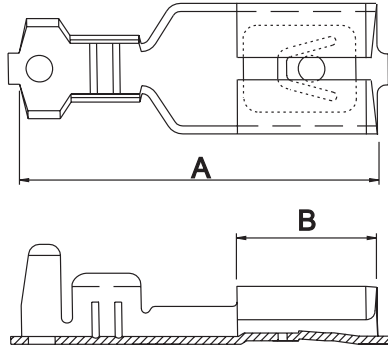
Straight Receptacles

Gerade Flachsteckhülsen

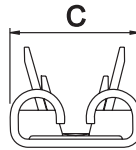
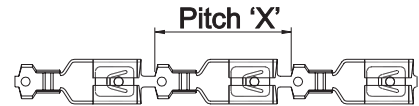
Clips Droits



4.8
x 0.5



DIMENSIONALLY
CONFORMS TO
DIN 46 247 PART 2



MATING FORCES			
1st Insertion	40N max	10th Withdrawal	15N min

Wire Range	Max.Ins	Tab Thickness	Mat Thickness	Material	A	B	C	X	Reel Size	Carton Size	Part Number	Approvals
Nennquerschnitt	Stift	Steckerdicke	Mat.dicke	Werkstoff	A	B	C	X	Spulen größe	Menge pro karton	Best Nr	Zulassungen
Section câble	Gaine	Epaisseur languette	Epaisseur matériau	Matériau					Bobines à	Cartons à	Code Nr	Homologations

0.5-1.0	2.9	0.5	0.35	CuZn	16.1	6.3	5.2	18.0	10K	30K	48SR05-10DB	
0.5-1.0	2.9	0.5	0.35	CuZn gal Sn	16.1	6.3	5.2	18.0	10K	30K	48SR05-10DC	
0.5-1.0	2.9	0.5	0.35	CuSn	16.1	6.3	5.2	18.0	10K	30K	48SR05-10DA	
0.5-1.0	2.9	0.5	0.35	CuSn gal Sn	16.1	6.3	5.2	18.0	10K	30K	48SR05-10DG	
0.5-1.0	2.9	0.5	0.35	CuNi Zn	16.1	6.3	5.2	18.0	10K	30K	48SR05-10DD	
0.5-1.0	2.9	0.5	0.35	St gal Ni	16.1	6.3	5.2	18.0	10K	30K	48SR05-10DE	
1.0-2.5	3.3	0.5	0.35	CuZn	16.1	6.3	5.2	18.0	10K	30K	48SR05-10HB	
1.0-2.5	3.3	0.5	0.35	CuZn gal Sn	16.1	6.3	5.2	18.0	10K	30K	48SR05-10HC	
1.0-2.5	3.3	0.5	0.35	CuSn	16.1	6.3	5.2	18.0	10K	30K	48SR05-10HA	
1.0-2.5	3.3	0.5	0.35	CuSn gal Sn	16.1	6.3	5.2	18.0	10K	30K	48SR05-10HG	
1.0-2.5	3.3	0.5	0.35	CuNi Zn	16.1	6.3	5.2	18.0	10K	30K	48SR05-10HD	
1.0-2.5	3.3	0.5	0.35	St gal Ni	16.1	6.3	5.2	18.0	10K	30K	48SR05-10HE	

Germany +49 (0) 202 460 3468

Europe +421 43 583 1311

United Kingdom +44 (0) 1986 891516



making the connection



FM 09860

2.0 - 1.4

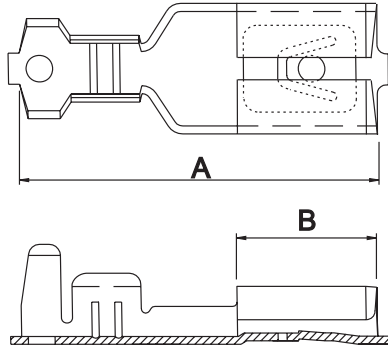
Straight Receptacles

Gerade Flachsteckhülsen

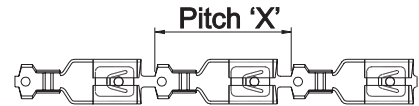
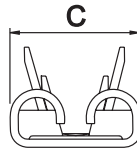
Clips Droits



4.8
x 0.8



DIMENSIONALLY
CONFORMS TO
DIN 46 247 PART 2



MATING FORCES

1st Insertion	40N max	10th Withdrawal	15N min
---------------	---------	-----------------	---------

Wire Range	Max.Ins	Tab Thickness	Mat Thickness	Material	A	B	C	X	Reel Size	Carton Size	Part Number	Approvals
Nennquerschnitt	Stift	Steckerdicke	Mat.dicke	Werkstoff	A	B	C	X	Spulen größe	Menge pro karton	Best Nr	Zulassungen
Section câble	Gaine	Epaisseur languette	Epaisseur matériau	Matériau					Bobines à	Cartons à	Code Nr	Homologations

0.5-1.0	2.9	0.8	0.35	CuZn	16.1	6.3	5.2	18.0	10K	30K	48SR08-10DB	
0.5-1.0	2.9	0.8	0.35	CuZn gal Sn	16.1	6.3	5.2	18.0	10K	30K	48SR08-10DC	
0.5-1.0	2.9	0.8	0.35	CuSn	16.1	6.3	5.2	18.0	10K	30K	48SR08-10DA	
0.5-1.0	2.9	0.8	0.35	CuSn gal Sn	16.1	6.3	5.2	18.0	10K	30K	48SR08-10DG	
0.5-1.0	2.9	0.8	0.35	CuNi Zn	16.1	6.3	5.2	18.0	10K	30K	48SR08-10DD	
0.5-1.0	2.9	0.8	0.35	St gal Ni	16.1	6.3	5.2	18.0	10K	30K	48SR08-10DE	
1.0-2.5	3.3	0.8	0.35	CuZn	16.1	6.3	5.2	18.0	10K	30K	48SR08-10HB	
1.0-2.5	3.3	0.8	0.35	CuZn gal Sn	16.1	6.3	5.2	18.0	10K	30K	48SR08-10HC	
1.0-2.5	3.3	0.8	0.35	CuSn	16.1	6.3	5.2	18.0	10K	30K	48SR08-10HA	
1.0-2.5	3.3	0.8	0.35	CuSn gal Sn	16.1	6.3	5.2	18.0	10K	30K	48SR08-10HG	
1.0-2.5	3.3	0.8	0.35	CuNi Zn	16.1	6.3	5.2	18.0	10K	30K	48SR08-10HD	
1.0-2.5	3.3	0.8	0.35	St gal Ni	16.1	6.3	5.2	18.0	10K	30K	48SR08-10HE	

Germany +49 (0) 202 460 3468

Europe +421 43 583 1311

United Kingdom +44 (0) 1986 891516



making the connection



FM 09860

2.0 - 1.5

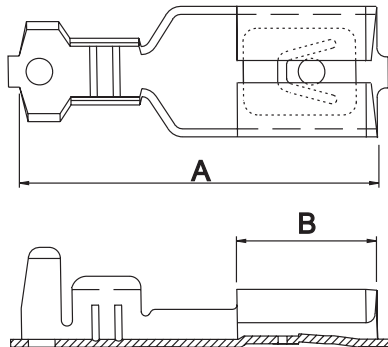
Straight Receptacles, Low Insertion

Gerade Flachsteckhülse
Steckkraftreduziert

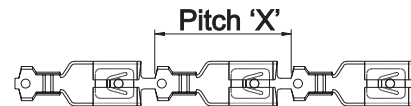
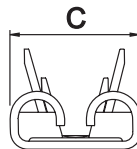
Clips Droits, Insertion Basse



4.8
x 0.5



DIMENSIONALLY
CONFORMS TO
DIN 46 247 PART 2



MATING FORCES

1st Insertion	26N max	10th Withdrawal	15N min
---------------	---------	-----------------	---------

Wire Range	Max.Ins	Tab Thickness	Mat Thickness	Material	A	B	C	X	Reel Size	Carton Size	Part Number	Approvals
Nennquerschnitt	Stift	Steckerdicke	Mat.dicke	Werkstoff	A	B	C	X	Spulen grösse	Menge pro karton	Best Nr	Zulassungen
Section câble	Gaine	Epaisseur languette	Epaisseur matériau	Matériau					Bobines à	Cartons à	Code Nr	Homologations

0.5-1.0	2.9	0.5	0.35	CuZn	16.1	6.3	5.2	18.0	10K	30K	48SR05-20DB	
0.5-1.0	2.9	0.5	0.35	CuZn gal Sn	16.1	6.3	5.2	18.0	10K	30K	48SR05-20DC	
0.5-1.0	2.9	0.5	0.35	CuSn	16.1	6.3	5.2	18.0	10K	30K	48SR05-20DA	
0.5-1.0	2.9	0.5	0.35	CuSn gal Sn	16.1	6.3	5.2	18.0	10K	30K	48SR05-20DG	
0.5-1.0	2.9	0.5	0.35	CuNi Zn	16.1	6.3	5.2	18.0	10K	30K	48SR05-20DD	
0.5-1.0	2.9	0.5	0.35	St gal Ni	16.1	6.3	5.2	18.0	10K	30K	48SR05-20DE	
1.0-2.5	3.3	0.5	0.35	CuZn	16.1	6.3	5.2	18.0	10K	30K	48SR05-20HB	
1.0-2.5	3.3	0.5	0.35	CuZn gal Sn	16.1	6.3	5.2	18.0	10K	30K	48SR05-20HC	
1.0-2.5	3.3	0.5	0.35	CuSn	16.1	6.3	5.2	18.0	10K	30K	48SR05-20HA	
1.0-2.5	3.3	0.5	0.35	CuSn gal Sn	16.1	6.3	5.2	18.0	10K	30K	48SR05-20HG	
1.0-2.5	3.3	0.5	0.35	CuNi Zn	16.1	6.3	5.2	18.0	10K	30K	48SR05-20HD	
1.0-2.5	3.3	0.5	0.35	St gal Ni	16.1	6.3	5.2	18.0	10K	30K	48SR05-20HE	

DIN 46 247 Bl. 2

0.5 - 1.0	-	0.5	0.35	CuZn	16.0	6.0	5.2		12K	18K	48SR05-10DB-HS	
0.5 - 1.0	-	0.5	0.35	CuZn gal Sn	16.0	6.0	5.2		12K	18K	48SR05-10DC-HS	
0.5 - 1.0	-	0.5	0.35	CuSn	16.0	6.0	5.2		12K	18K	48SR05-10DA-HS	
0.5 - 1.0	-	0.5	0.35	CuSn gal Sn	16.0	6.0	5.2		12K	18K	48SR05-10DG-HS	

Germany +49 (0) 202 460 3468

Europe +421 43 583 1311

United Kingdom +44 (0) 1986 891516



making the connection



2.0 - 1.6

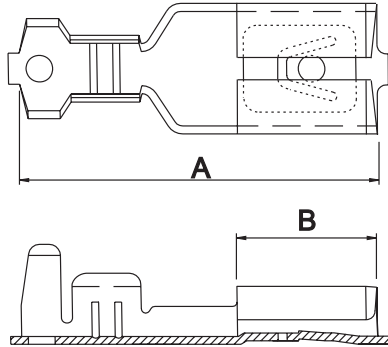
Straight Receptacles, Low Insertion

Gerade Flachsteckhülse
Steckkraftreduziert

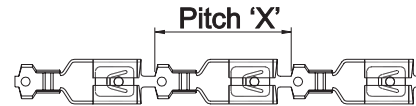
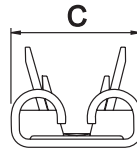
Clips Droits, Insertion Basse



4.8
x 0.5
x 0.8



DIMENSIONALLY
CONFORMS TO
DIN 46 247 PART 2



MATING FORCES

1st Insertion	26N max	10th Withdrawal	15N min
---------------	---------	-----------------	---------

Wire Range	Max.Ins	Tab Thickness	Mat Thickness	Material	A	B	C	X	Reel Size	Carton Size	Part Number	Approvals
Nennquerschnitt	Stift	Steckerdicke	Mat.dicke	Werkstoff	A	B	C	X	Spulen grösse	Menge pro karton	Best Nr	Zulassungen
Section câble	Gaine	Epaisseur languette	Epaisseur matériau	Matériau	A	B	C	X	Bobines à	Cartons à	Code Nr	Homologations

0.5-1.0	2.9	0.8	0.35	CuZn	16.1	6.3	5.2	18.0	10K	30K	48SR08-20DB	
0.5-1.0	2.9	0.8	0.35	CuZn gal Sn	16.1	6.3	5.2	18.0	10K	30K	48SR08-20DC	
0.5-1.0	2.9	0.8	0.35	CuSn	16.1	6.3	5.2	18.0	10K	30K	48SR08-20DA	
0.5-1.0	2.9	0.8	0.35	CuSn gal Sn	16.1	6.3	5.2	18.0	10K	30K	48SR08-20DG	
0.5-1.0	2.9	0.8	0.35	CuNi Zn	16.1	6.3	5.2	18.0	10K	30K	48SR08-20DD	
0.5-1.0	2.9	0.8	0.35	St gal Ni	16.1	6.3	5.2	18.0	10K	30K	48SR08-20DE	
1.0-2.5	3.3	0.8	0.35	CuZn	16.1	6.3	5.2	18.0	10K	30K	48SR08-20HB	
1.0-2.5	3.3	0.8	0.35	CuZn gal Sn	16.1	6.3	5.2	18.0	10K	30K	48SR08-20HC	
1.0-2.5	3.3	0.8	0.35	CuSn	16.1	6.3	5.2	18.0	10K	30K	48SR08-20HA	
1.0-2.5	3.3	0.8	0.35	CuSn gal Sn	16.1	6.3	5.2	18.0	10K	30K	48SR08-20HG	
1.0-2.5	3.3	0.8	0.35	CuNi Zn	16.1	6.3	5.2	18.0	10K	30K	48SR08-20HD	
1.0-2.5	3.3	0.8	0.35	St gal Ni	16.1	6.3	5.2	18.0	10K	30K	48SR08-20HE	

DIN 46 247 Bl. 2

0.5 - 1.0	-	0.8	0.35	CuZn	16.0	6.0	5.2		6K	18K	48SR08-10DB-HS	
0.5 - 1.0	-	0.8	0.35	CuZn gal Sn	16.0	6.0	5.2		6K	18K	48SR08-10DC-HS	
0.5 - 1.0	-	0.8	0.35	CuSn	16.0	6.0	5.2		6K	18K	48SR08-10DA-HS	
0.5 - 1.0	-	0.8	0.35	CuSn gal Sn	16.0	6.0	5.2		6K	18K	48SR08-10DG-HS	

With tang but no dimple

0.5 - 1.0	-	0.5	0.35	CuZn	16.0	6.0	5.2		10K	30K	48SR05-14DB	
0.5 - 1.0	-	0.5	0.35	CuZn gal Sn	16.0	6.0	5.2		10K	30K	48SR05-14DC	
0.5 - 1.0	-	0.5	0.35	CuSn	16.0	6.0	5.2		10K	30K	48SR05-14DA	
0.5 - 1.0	-	0.5	0.35	CuSn gal Sn	16.0	6.0	5.2		10K	30K	48SR05-14DG	
0.5 - 1.0	-	0.8	0.35	CuZn	16.0	6.0	5.2		10K	30K	48SR08-14DB	
0.5 - 1.0	-	0.8	0.35	CuZn gal Sn	16.0	6.0	5.2		10K	30K	48SR08-14DC	
0.5 - 1.0	-	0.8	0.35	CuSn	16.0	6.0	5.2		10K	30K	48SR08-14DA	
0.5 - 1.0	-	0.8	0.35	CuSn gal Sn	16.0	6.0	5.2		10K	30K	48SR08-14DG	

Germany +49 (0) 202 460 3468

Europe +421 43 583 1311

United Kingdom +44 (0) 1986 891516



making the connection



2.0 - 1.7

FM 09860

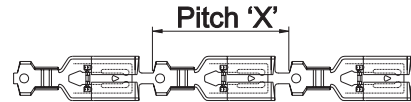
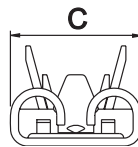
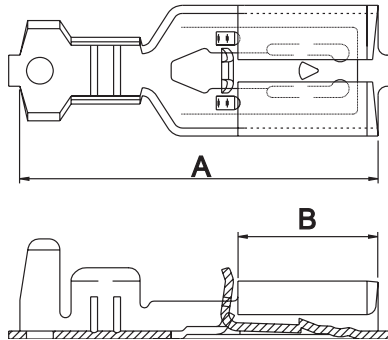
Straight Receptacles, Locking

Gerade Flachsteckhülse Verriegelbar

Clips Droits Avec Verrouillage



4.8
x 0.5



**DIMENSIONALLY CONFORMS
TO DIN 46 247 PART 2**

Wire Range	Max.Ins	Tab Thickness	Mat Thickness	Material	A	B	C	X	Reel Size	Carton Size	Part Number	Approvals
Nennquerschnitt	Stift	Steckerdicke	Mat.dicke	Werkstoff	A	B	C	X	Spulen größe	Menge pro karton	Best Nr	Zulassungen
Section câble	Gaine	Epaisseur languette	Epaisseur matériau	Matériau					Bobines à	Cartons à	Code Nr	Homologations

0.5-1.0	2.9	0.5	0.35	CuZn	16.1	6.3	5.2	18.0	10K	30K	48SL05-10DB	
0.5-1.0	2.9	0.5	0.35	CuZn gal Sn	16.1	6.3	5.2	18.0	10K	30K	48SL05-10DC	
0.5-1.0	2.9	0.5	0.35	CuSn	16.1	6.3	5.2	18.0	10K	30K	48SL05-10DA	
0.5-1.0	2.9	0.5	0.35	CuSn gal Sn	16.1	6.3	5.2	18.0	10K	30K	48SL05-10DG	
0.5-1.0	2.9	0.5	0.35	CuNi Zn	16.1	6.3	5.2	18.0	10K	30K	48SL05-10DD	
0.5-1.0	2.9	0.5	0.35	St gal Ni	16.1	6.3	5.2	18.0	10K	30K	48SL05-10DE	
1.0-2.5	3.3	0.5	0.35	CuZn	16.1	6.3	5.2	18.0	10K	30K	48SL05-10HB	
1.0-2.5	3.3	0.5	0.35	CuZn gal Sn	16.1	6.3	5.2	18.0	10K	30K	48SL05-10HC	
1.0-2.5	3.3	0.5	0.35	CuSn	16.1	6.3	5.2	18.0	10K	30K	48SL05-10HA	
1.0-2.5	3.3	0.5	0.35	CuSn gal Sn	16.1	6.3	5.2	18.0	10K	30K	48SL05-10HG	
1.0-2.5	3.3	0.5	0.35	CuNi Zn	16.1	6.3	5.2	18.0	10K	30K	48SL05-10HD	
1.0-2.5	3.3	0.5	0.35	St gal Ni	16.1	6.3	5.2	18.0	10K	30K	48SL05-10HE	

Germany +49 (0) 202 460 3468

Europe +421 43 583 1311

United Kingdom +44 (0) 1986 891516



making the connection



FM 09860

2.0 - 1.8

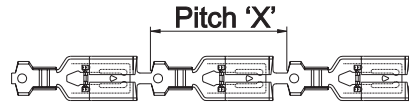
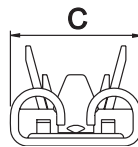
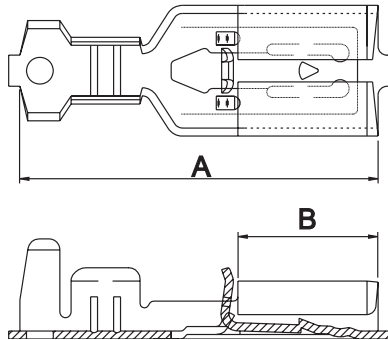
Straight Receptacles, Locking

Gerade Flachsteckhülse Verriegelbar

Clips Droits Avec Verrouillage



4.8
x 0.8



DIMENSIONALLY CONFORMS TO DIN 46 247 PART 2

Wire Range	Max.Ins	Tab Thickness	Mat Thickness	Material	A	B	C	X	Reel Size	Carton Size	Part Number	Approvals
Nennquerschnitt	Stift	Steckerdicke	Mat.dicke	Werkstoff	A	B	C	X	Spulen grösse	Menge pro karton	Best Nr	Zulassungen
Section câble	Gaine	Epaisseur languette	Epaisseur matériau	Matériau					Bobines à	Cartons à	Code Nr	Homologations

0.5-1.0	2.9	0.8	0.35	CuZn	16.1	6.3	5.2	18.0	10K	30K	48SL08-10DB	
0.5-1.0	2.9	0.8	0.35	CuZn gal Sn	16.1	6.3	5.2	18.0	10K	30K	48SL08-10DC	
0.5-1.0	2.9	0.8	0.35	CuSn	16.1	6.3	5.2	18.0	10K	30K	48SL08-10DA	
0.5-1.0	2.9	0.8	0.35	CuSn gal Sn	16.1	6.3	5.2	18.0	10K	30K	48SL08-10DG	
0.5-1.0	2.9	0.8	0.35	CuNi Zn	16.1	6.3	5.2	18.0	10K	30K	48SL08-10DD	
0.5-1.0	2.9	0.8	0.35	St gal Ni	16.1	6.3	5.2	18.0	10K	30K	48SL08-10DE	
1.0-2.5	3.3	0.8	0.35	CuZn	16.1	6.3	5.2	18.0	10K	30K	48SL08-10HB	
1.0-2.5	3.3	0.8	0.35	CuZn gal Sn	16.1	6.3	5.2	18.0	10K	30K	48SL08-10HC	
1.0-2.5	3.3	0.8	0.35	CuSn	16.1	6.3	5.2	18.0	10K	30K	48SL08-10HA	
1.0-2.5	3.3	0.8	0.35	CuSn gal Sn	16.1	6.3	5.2	18.0	10K	30K	48SL08-10HG	
1.0-2.5	3.3	0.8	0.35	CuNi Zn	16.1	6.3	5.2	18.0	10K	30K	48SL08-10HD	
1.0-2.5	3.3	0.8	0.35	St gal Ni	16.1	6.3	5.2	18.0	10K	30K	48SL08-10HE	

Germany +49 (0) 202 460 3468

Europe +421 43 583 1311

United Kingdom +44 (0) 1986 891516



making the connection



2.0 - 1.9